

**PRESIDENT**

**GRANT II  
PREMIUM**

**SERVICE MANUAL**

# **-TECNNICAL CHARACTERITICS**

## **1-GENERAL:**

### **-Multiconfiguration (EU, PL, d, EC, U, In)**

-EU ⇒ 40 channels AM/FM 4W-USB/LSB 12WPEP  
(from 26,965Mhz to 27,405Mhz)

-PL ⇒ 40 channels AM/FM 4W (from 26,960Mhz to 27,400Mhz)  
40 channels USB/LSB 12WPEP (from 26,965Mhz to 27,405Mhz)

-d ⇒ 80 channels FM 4W (from 26,565Mhz to 27,405Mhz)

40 channels AM 4W-USB/LSB 12WPEP (from 26,965Mhz to 27,405Mhz)

-EC ⇒ 40 channels FM 4W (from 26,965Mhz to 27,405Mhz)

-U ⇒ 40 channels AM/FM 4W-USB/LSB 12WPEP (from 26,965Mhz to 27,405Mhz)

40 channels FM 4W (from 27,60125Mhz to 27,99125Mhz)

-In ⇒ 27 channels AM/FM 4W (from 26,965Mhz to 27,275Mhz)

### **-Channel step**

-10KHz

### **-Class of emission**

-AM(A3E)/FM(F3E)/USB LSB(J3E)

### **-Power supply**

-13,2V (from 10,8V to 15,6V)

### **-Antenna impedance**

-50Ω

### **-Dimensions(in mm)**

-185(W)x250(D)x56(H)

### **-Weight**

-1,250Kg

## **2-TRANSMISSION:**

### **-Frequency allowance**

-±300Hz

### **-Transmission interference**

-Inferior to 4nW(-54dBm)

### **-Audio frequency response**

-From 300Hz to 3kHz

### **-Emitted power in the adjacent channel**

-Inferior to 20μW

### **-Microphone sensitivity**

-Inferior to 3mV

### **-Current drain**

-3A(in transmission mode with modulation)

### **-Modulated signal distortion**

-Inferior to 2%

### **3-RECEPTION:**

**-Maximum sensitivity at 20dB sinad**

-0,5 $\mu$ V(-113dBm) AM/0,35 $\mu$ V(-116dBm) FM/0,28 $\mu$ V(-118dBm)USB LSB

**-Audio frequency response**

-From 300Hz to 3kHz

**-Adjacent channel selectivity**

-Superior to 60dB

**-Frequency image rejection**

-Superior to 60dB

**-Intermodulation response**

-Superior to 54dB

**-Maximum audio power**

-3W

**-Squelch sensitivity**

-Threshold 0,2 $\mu$ V(-120dBm)/Tight 1mV(-47dBm)

**-Current drain**

-400mA nominal/1000mA maximum

# ALIGNMENT PROCEDURE (GRANT II PREMIUM)

## \* VCO/PLL PORTION

- Alignment procedure
- Test points
- Frequencies chart

## \* TRANSMITTER

- Alignment procedure
- Test points

## \* RECEIVER

- Alignment procedure
- Test points

## Test equipment required

Frequency counter 200 Mhz	HF Generator
DC Voltmeter & DC Amperemeter	BF Voltmeter
Distortimeter	HF Voltmeter
Wattmeter - Dummy load	Osilloscope
FM linear detector	Load 8 $\Omega$
AF generator	Sinad meter

## Conditions of Measurements on HF Generator

### Reception

AM mode: Level - 107 dBm Frequency 1 KHz with 60% of modulation.  
FM mode: Level - 107 dBm Frequency 1 KHz with 1,2KHz of deviation.  
USB/LSB mode: Level - 107 dBm

### Transmission

Frequency 1,25 KHz 30mV AM/FM  
Frequency two tones 0,4 KHz 30mV & 2,5KHz 30mV

## ALIGNMENT VCO/PLL

### 1 - Alignment procedure(13,2V;configuration” EU, PL, d, EC, U, In ”)

STEP	CONDITION	ADJUSTMENT	REMARKS OF ADJUSTMENT
1	AM/FM(EU) RX mode Channel 20	L304	Clarifier center position Connect a frequency counter to TP302, adjust L304 to reach 37,900MHz $\pm$ 20Hz
2	USB(EU) RX mode Channel 20	L306	Clarifier center position Connect a frequency counter to TP303, adjust L306 to reach 10,6975MHz $\pm$ 20Hz
3	LSB(EU) RX mode Channel 20	L307	Clarifier center position Connect a frequency counter to TP303, adjust L307 to reach 10,6925MHz $\pm$ 20Hz
4	AM/FM(EU) TX mode Channel 20	L305	Clarifier center position.Connect a frequency counter to the dummy load, adjust L305 to reach 27,205MHz $\pm$ 20Hz
5	FM(U) TX mode Channel 20	RT302	Clarifier center position.Connect a frequency counter to the dummy load, adjust RT302 to reach 27,78125MHz $\pm$ 20Hz
6	AM(EU) RX mode Channel 40		Clarifier center position. Connect a voltmeter to TP 301 and check 1,4V $\pm$ 0,2V.
7	AM(EU) RX mode Channel 01		Clarifier center position. Connect a voltmeter to TP 301 and check 1,2V $\pm$ 0,2V.
8	AM/FM RX mode (EU,PL,d,EC,U,In)		Clarifier center position Connect a frequency counter to TP302, and check with the frequency list

**- FREQUENCY LIST (EU,EC)**

CH	Channels Frequencies (MHz)	VCO(TP302) Frequencies (MHz)
1	26,965	37,660
2	26,975	37,670
3	26,985	37,680
4	27,005	37,700
5	27,015	37,710
6	27,025	37,720
7	27,035	37,730
8	27,055	37,750
9	27,065	37,760
10	27,075	37,770
11	27,085	37,780
12	27,105	37,800
13	27,115	37,810
14	27,125	37,820
15	27,135	37,830
16	27,155	37,850
17	27,165	37,860
18	27,175	37,870
19	27,185	37,880
20	27,205	37,900
21	27,215	37,910
22	27,225	37,930
23	27,255	37,950
24	27,235	37,930
25	27,245	37,940
26	27,265	37,960
27	27,275	37,970
28	27,285	37,980
29	27,295	37,990
30	27,305	38,000
31	27,315	38,010
32	27,325	38,020
33	27,335	38,030
34	27,345	38,040
35	27,355	38,050
36	27,365	38,060
37	27,375	38,070
38	27,385	38,080
39	27,395	38,090
40	27,405	38,100

**- FREQUENCY LIST (PL)**

CH	Channels Frequencies (MHz)	VCO(TP302) Frequencies (MHz)
1	26,960	37,655
2	26,970	37,665
3	26,980	37,675
4	27,000	37,695
5	27,010	37,705
6	27,020	37,715
7	27,030	37,725
8	27,050	37,745
9	27,060	37,755
10	27,070	37,765
11	27,080	37,775
12	27,100	37,795
13	27,110	37,805
14	27,120	37,815
15	27,130	37,825
16	27,150	37,845
17	27,160	37,855
18	27,170	37,865
19	27,180	37,875
20	27,200	37,895
21	27,210	37,905
22	27,220	37,915
23	27,250	37,945
24	27,230	37,925
25	27,240	37,935
26	27,260	37,955
27	27,270	37,965
28	27,280	37,975
29	27,290	37,985
30	27,300	37,995
31	27,310	38,005
32	27,320	38,015
33	27,330	38,025
34	27,340	38,035
35	27,350	38,045
36	27,360	38,055
37	27,370	38,065
38	27,380	38,075
39	27,390	38,085
40	27,400	38,095

**- FREQUENCY LIST (U)**

CH CEPT	Channels Frequencies (MHz)	VCO(TP302) Frequencies (MHz)
1	26,965	37,660
2	26,975	37,670
3	26,985	37,680
4	27,005	37,700
5	27,015	37,710
6	27,025	37,720
7	27,035	37,730
8	27,055	37,750
9	27,065	37,760
10	27,075	37,770
11	27,085	37,780
12	27,105	37,800
13	27,115	37,810
14	27,125	37,820
15	27,135	37,830
16	27,155	37,850
17	27,165	37,860
18	27,175	37,870
19	27,185	37,880
20	27,205	37,900
21	27,215	37,910
22	27,225	37,930
23	27,255	37,950
24	27,235	37,930
25	27,245	37,940
26	27,265	37,960
27	27,275	37,970
28	27,285	37,980
29	27,295	37,990
30	27,305	38,000
31	27,315	38,010
32	27,325	38,020
33	27,335	38,030
34	27,345	38,040
35	27,355	38,050
36	27,365	38,060
37	27,375	38,070
38	27,385	38,080
39	27,395	38,090
40	27,405	38,100



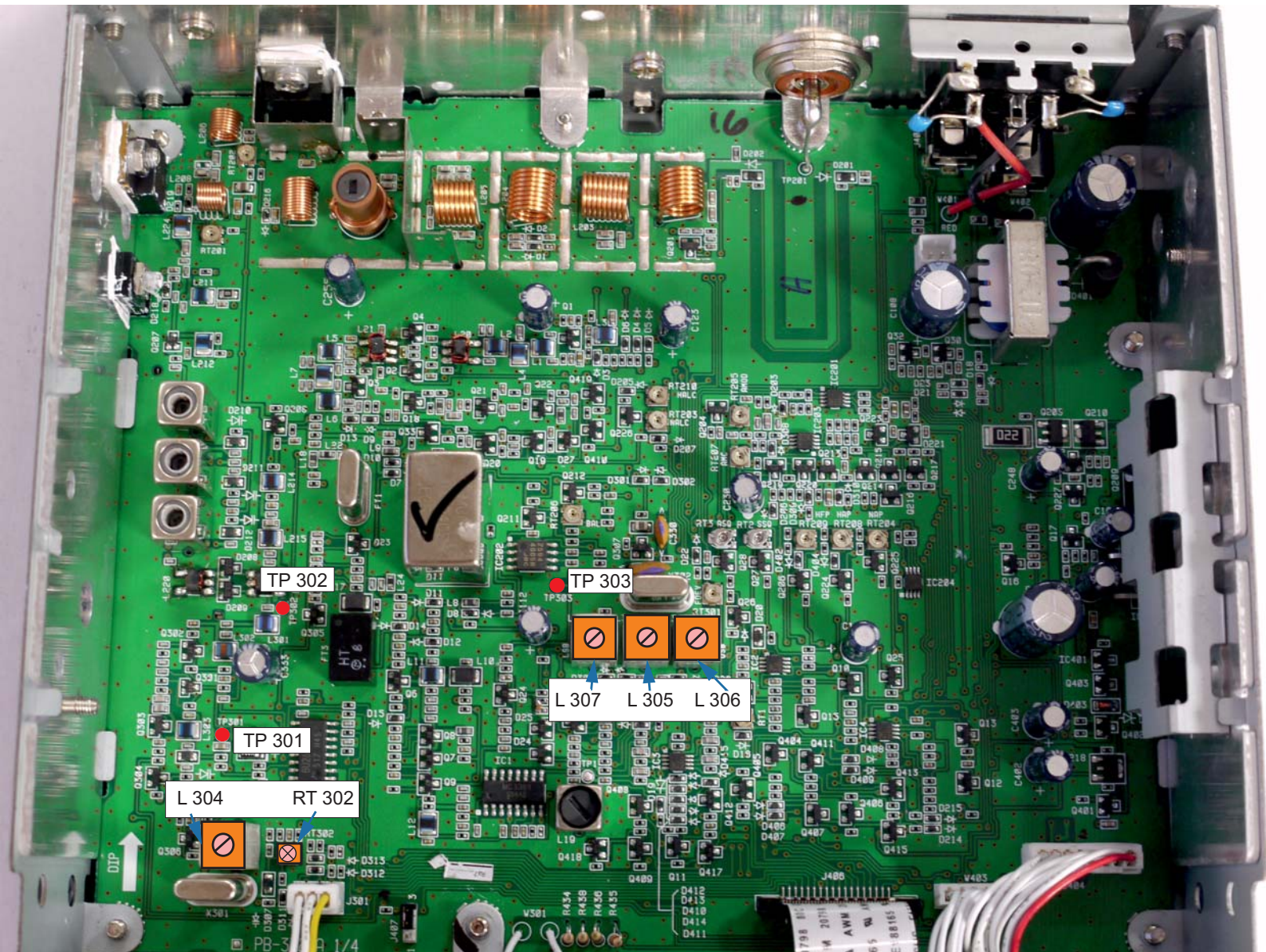
**- FREQUENCY LIST (U)**

CH ENG	Channels Frequencies (MHz)	VCO(TP302) Frequencies (MHz)
1	27,60125	38,29625
2	27,61125	38,30625
3	27,62125	38,31625
4	27,63125	38,32625
5	27,64125	38,33625
6	27,65125	38,34625
7	27,66125	38,35625
8	27,67125	38,36625
9	27,68125	38,37625
10	27,69125	38,38625
11	27,70125	38,39625
12	27,71125	38,40625
13	27,72125	38,41625
14	27,73125	38,42625
15	27,74125	38,43625
16	27,75125	38,44625
17	27,76125	38,45625
18	27,77125	38,46625
19	27,78125	38,47625
20	27,79125	38,48625
21	27,80125	38,49625
22	27,81125	38,50625
23	27,82125	38,51625
24	27,83125	38,52625
25	27,84125	38,53625
26	27,85125	38,54625
27	27,86125	38,55625
28	27,87125	38,56625
29	27,88125	38,57625
30	27,89125	38,58625
31	27,90125	38,59625
32	27,91125	38,60625
33	27,92125	38,61625
34	27,93125	38,62625
35	27,94125	38,63625
36	27,95125	38,64625
37	27,96125	38,65625
38	27,97125	38,66625
39	27,98125	38,67625
40	27,99125	38,68625

**- FREQUENCY LIST (d)**

CH	Channels	VCO(TP302)	CH	Channels	VCO(TP302)
d	Frequencies (MHz)	Frequencies (MHz)	d	Frequencies (MHz)	Frequencies (MHz)
1	26,965	37,660	41	26,565	37,260
2	26,975	37,670	42	26,575	37,270
3	26,985	37,680	43	26,585	37,280
4	27,005	37,70	44	26,595	37,290
5	27,015	37,710	45	26,605	37,300
6	27,025	37,720	46	26,615	37,310
7	27,035	37,730	47	26,625	37,320
8	27,055	37,750	48	26,635	37,330
9	27,065	37,760	49	26,645	37,340
10	27,075	37,770	50	26,655	37,350
11	27,085	37,780	51	26,665	37,360
12	27,105	37,800	52	26,675	37,370
13	27,115	37,810	53	26,685	37,380
14	27,125	37,820	54	26,695	37,390
15	27,135	37,830	55	26,705	37,400
16	27,155	37,850	56	26,715	37,410
17	27,165	37,860	57	26,725	37,420
18	27,175	37,870	58	26,735	37,430
19	27,185	37,880	59	26,745	37,440
20	27,205	37,900	60	26,755	37,450
21	27,215	37,910	61	26,765	37,460
22	27,225	37,930	62	26,775	37,470
23	27,255	37,950	63	26,785	37,480
24	27,235	37,930	64	26,795	37,490
25	27,245	37,940	65	26,805	37,500
26	27,265	37,960	66	26,815	37,510
27	27,275	37,970	67	26,825	37,520
28	27,285	37,980	68	26,835	37,530
29	27,295	37,990	69	26,845	37,540
30	27,305	38,000	70	26,855	37,550
31	27,315	38,010	71	26,865	37,560
32	27,325	38,020	72	26,875	37,570
33	27,335	38,030	73	26,885	37,580
34	27,345	38,040	74	26,895	37,590
35	27,355	38,050	75	26,905	37,600
36	27,365	38,060	76	26,915	37,610
37	27,375	38,070	77	26,925	37,620
38	27,385	38,080	78	26,935	37,630
39	27,395	38,090	79	26,945	37,640
40	27,405	38,100	80	26,955	37,650

# ALIGNMENT VCO/PLL



# ALIGNMENT TRANSMITTER

## 1 - Alignment procedure(13,2V;configuration"EU")

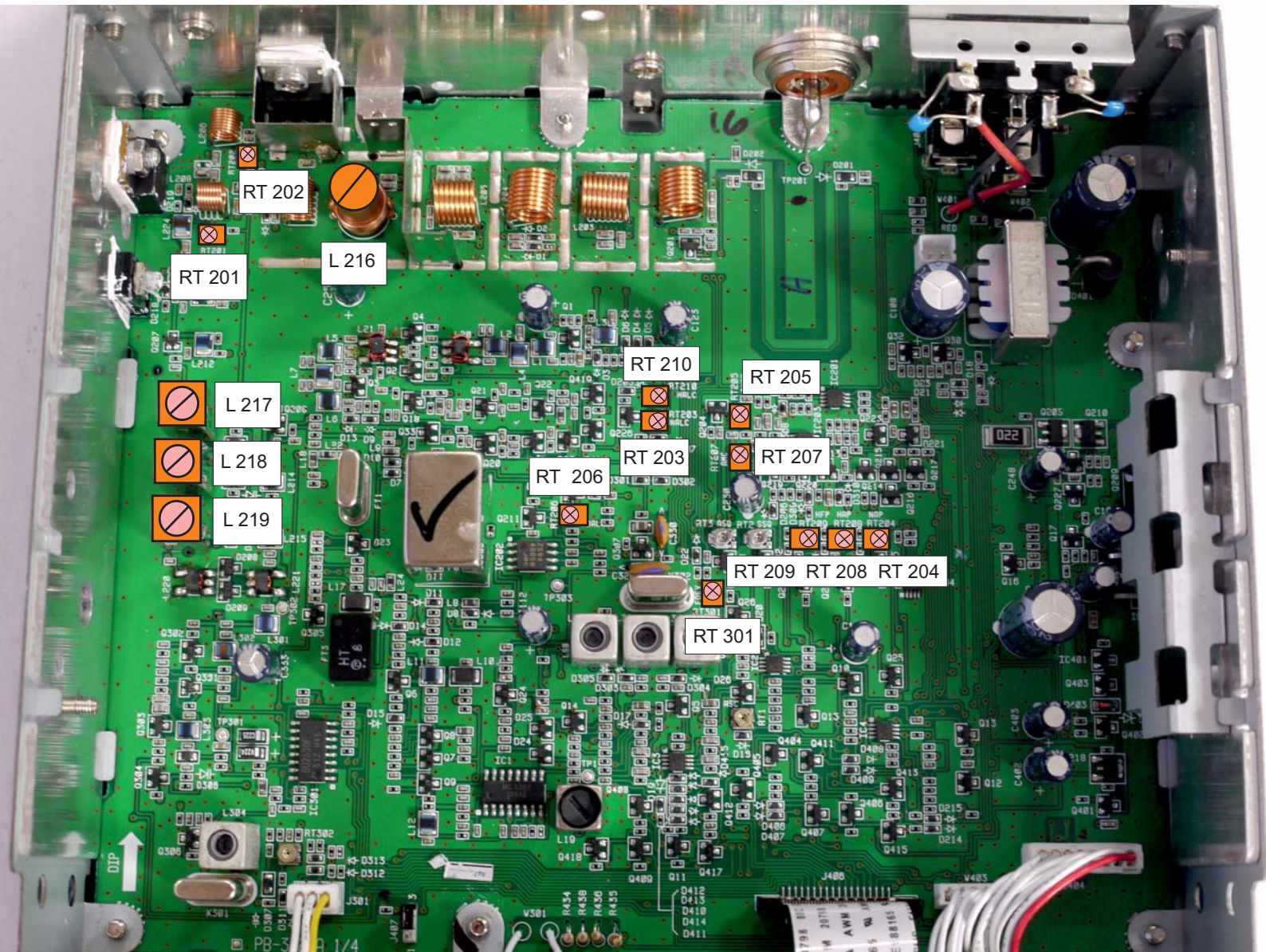
-Connect a DC amperemeter between the power supply and the transceiver.

STEP	CONDITION	ADJUSTMENT	REMARKS OF ADJUSTMENT
1	USB(EU) Channel 20 TX mode without modulation	RT201 CCW RT202 CCW	Check 0,55A±10mA on the amperemeter
2	USB(EU) Channel 20 TX mode without modulation	RT201	Adjust RT201 to add 0,1A±10mA=0,65A±10mA
3	USB(EU) Channel 20 TX mode without modulation	RT202	Adjust RT202 to add 0,1A±10mA=0,75A±10mA
4	USB(EU) Channel 20 TX mode with modulation 0,4KHz&2,5KHz (adjust audio frequency level to become 0,5WPEP)	L217 L218 L219	Adjust L217, L218, L219 to reach the maximum power on the RF power meter.
5	AM(EU) Channel 20 TX mode RT207 CW RT205 CW 1,25Khz 30mV	L216 RT203	1-Adjust L216 to maximum reading on the RF power meter 2-Turn 180° to CCW after adjust 3-Set RT 203 to center position

<b>STEP</b>	<b>CONDITION</b>	<b>ADJUSTMENT</b>	<b>REMARKS OF ADJUSTMENT</b>
6	USB(EU) Channel 20 TX mode with modulation 0,4KHz&2,5KHz (30mV RMS)	RT203	Adjust RT203 to reach 11W <sub>pep</sub> ± 0,5W on the RF power meter.
7	USB(EU) Channel 20 TX mode without modulation	RT206	Connect RF probe to TP 201. Adjust RT 206 to minimum reading on oscilloscope.
8	FM(EU) Channel 20 TX mode without modulation	RT204	Adjust RT204 to reach 3,8W ± 0,1W on the RF power meter.
9	AM(EU) Channel 20 TX mode 1,25Khz 30mV	RT205 RT207	1-Set RT207 to CW 2-Adjust RT205 to 95% 3-Adjust RT207 90% ± 3% modulation
10	FM(EU) Channel 20 TX mode 1,25Khz 30mV	RT301	Adjust RT301 to reach 1,9Khz ± 0,1Khz of deviation..
11	AM(RU) Channel 20 TX mode without modulation	RT208	Adjust RT208 to reach 8W ± 0,1W on the RF power meter.
12	FM(RU) Channel 20 TX mode without modulation	RT209	Adjust RT209 to reach 20W ± 0,1W on the RF power meter.
13	USB(RU) Channel 20 TX mode with modulation 0,4KHz&2,5KHz (30mV RMS)	RT210	Adjust RT210 to reach 20W <sub>pep</sub> ± 0,5W on the RF power meter.



# ALIGNMENT TRANSMITTER



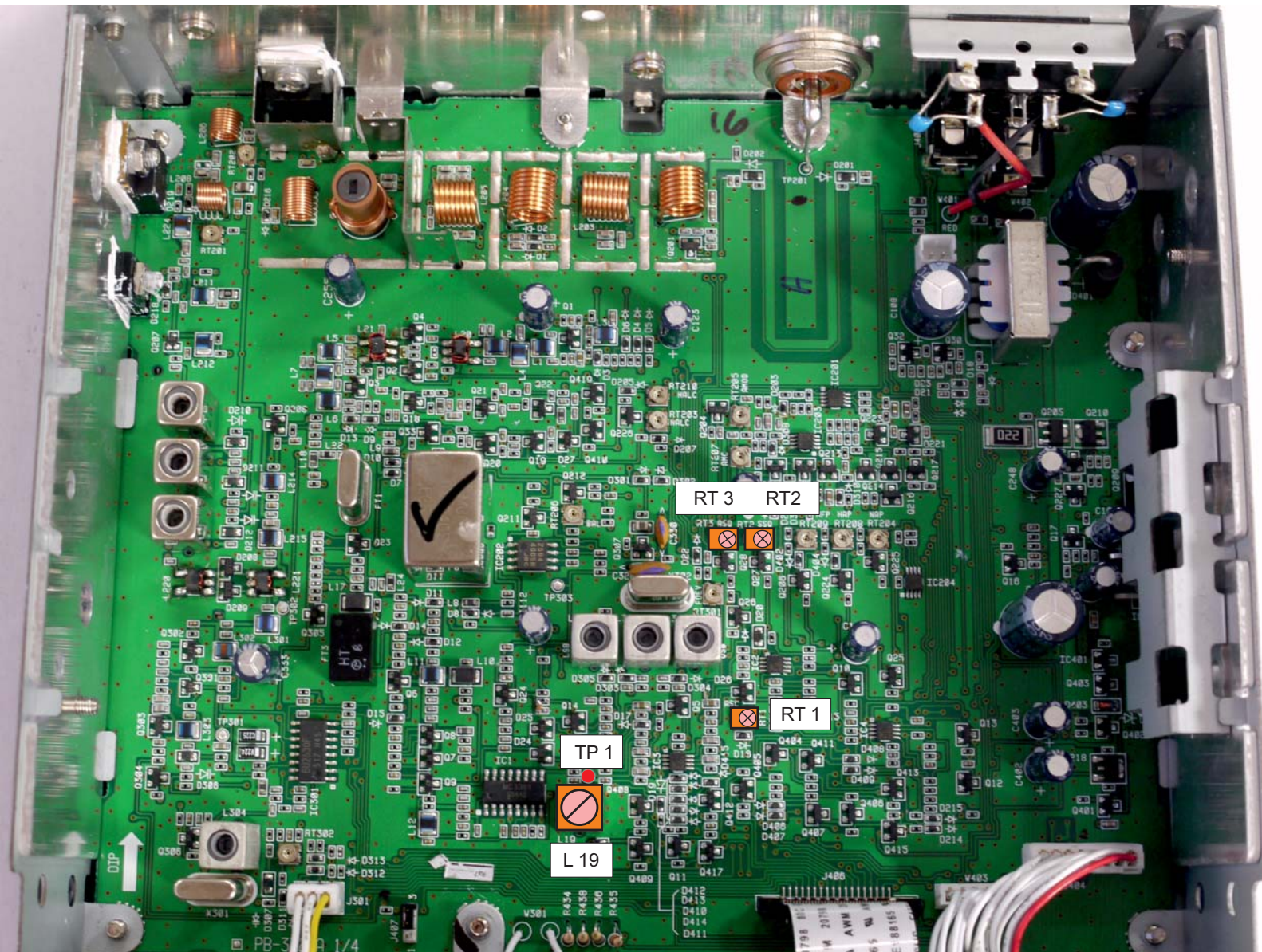
# ALIGNMENT RECEIVER

## 1 - Alignment procedure(13,2V;configuration"EU")

STEP	CONDITION	ADJUSTMENT	REMARKS OF ADJUSTMENT
1	FM(EU) Channel 20 Middle volume level. No squelch active NB/ANL/HICUT OFF	L19	Connect HF generator(27,205MHz) to jack antenna adjusted at (-47dBm 1KHz mod 1,2Khz déviation). Connect DC voltmeter to TP1 and adjust L19 to reach $3 \pm 0,1V$
2	AM(EU) Channel 20 Middle volume level. Squelch control CW NB/ANL/HICUT OFF	RT3	Connect HF generator(27,205MHz) to jack antenna adjusted at (-47dBm 1KHz mod 60%modulation). Adjust RT3 CW direction so that the signal is audible.
3	AM(EU) Channel 20 Middle volume level. Squelch control CCW (ASC ON) NB/ANL/HICUT OFF	RT1	Connect HF generator(27,205MHz) to jack antenna adjusted at (-111dBm without modulation). Adjust RT1 CW direction so that the signal is no longer audible.
4	USB(EU) Channel 20 Middle volume level. Squelch control CW NB/ANL/HICUT OFF	RT2	Connect HF generator(27,206MHz) to jack antenna adjusted at (-47dBm without modulation). Adjust RT2 CW direction so that the signal is audible.



# ALIGNMENT RECEIVER

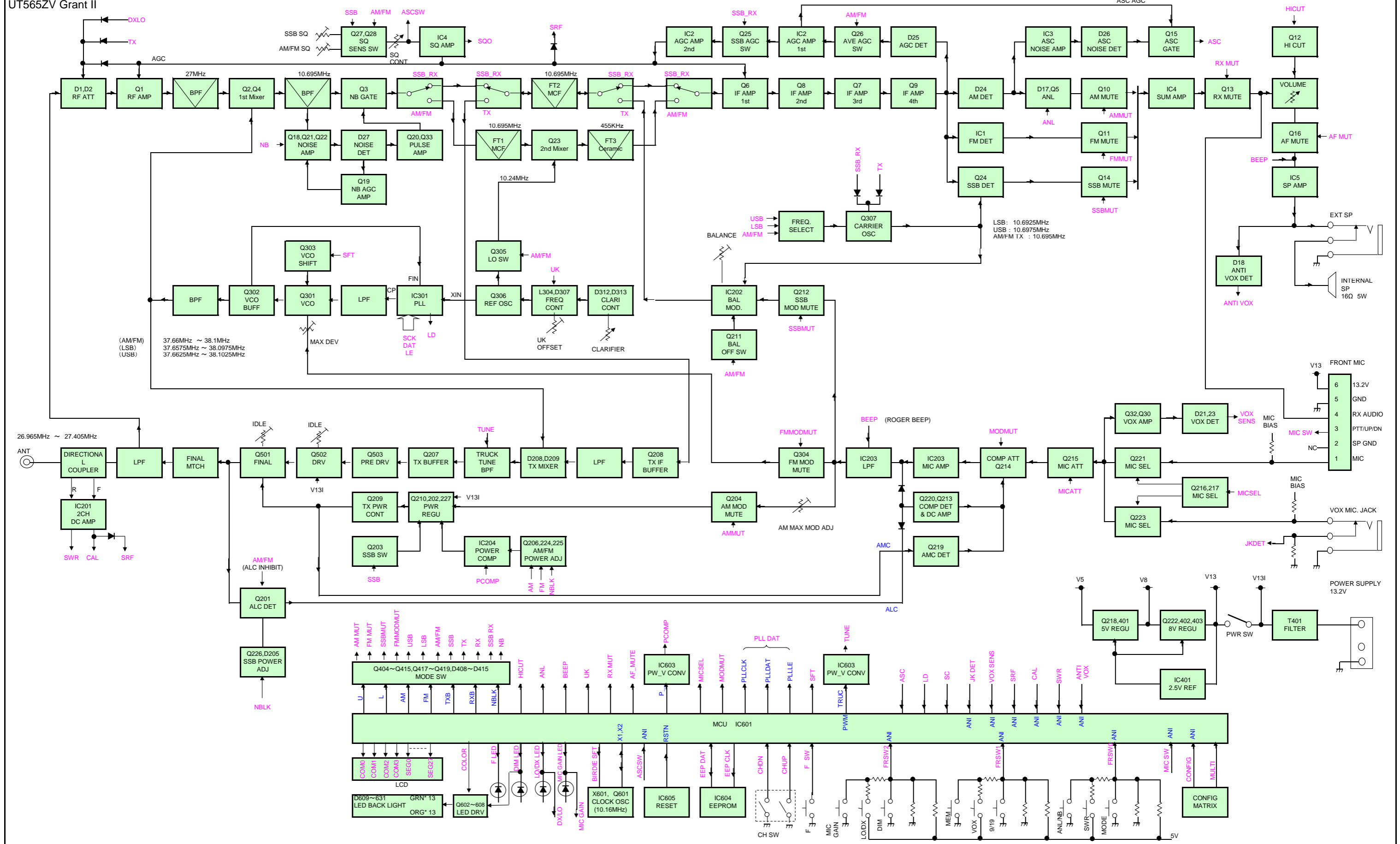




# **GRANTII PREMIUM**

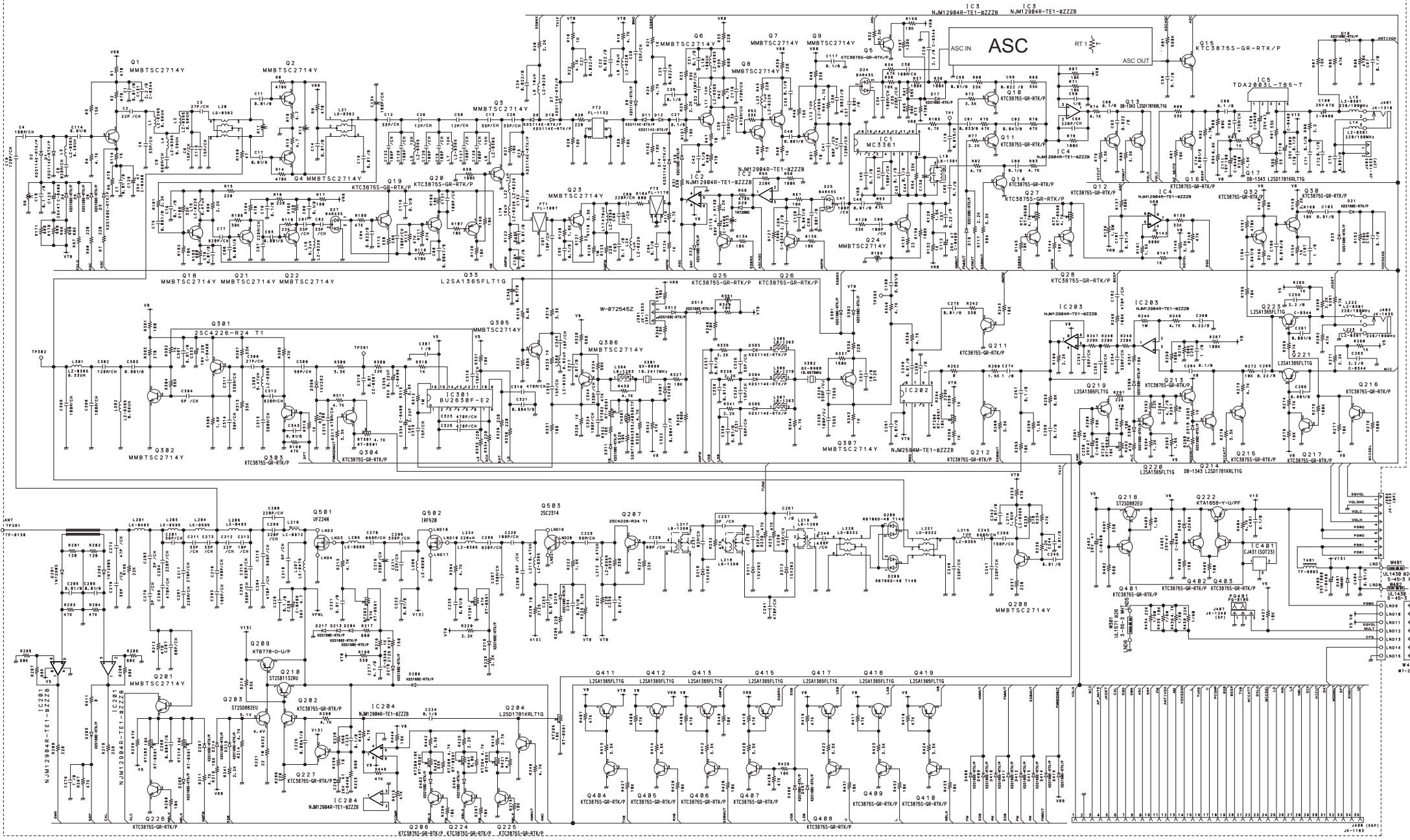
**BLOC DIAGRAM**

**BLOCK DIAGRAM(Ver.1.0)**  
**UT565ZV Grant II**



# **GRANTII PREMIUM**

**SCHEMATIC DIAGRAM**



ANT TP2201

TP-2138

Q209

Q208

Q207

Q206

Q205

Q204

Q203

Q202

Q201

Q200

Q199

Q198

Q197

Q196

Q195

Q194

Q193

Q192

Q191

Q190

Q189

Q188

Q187

Q186

Q185

Q184

Q183

Q182

Q181

Q180

Q179

Q178

Q177

Q176

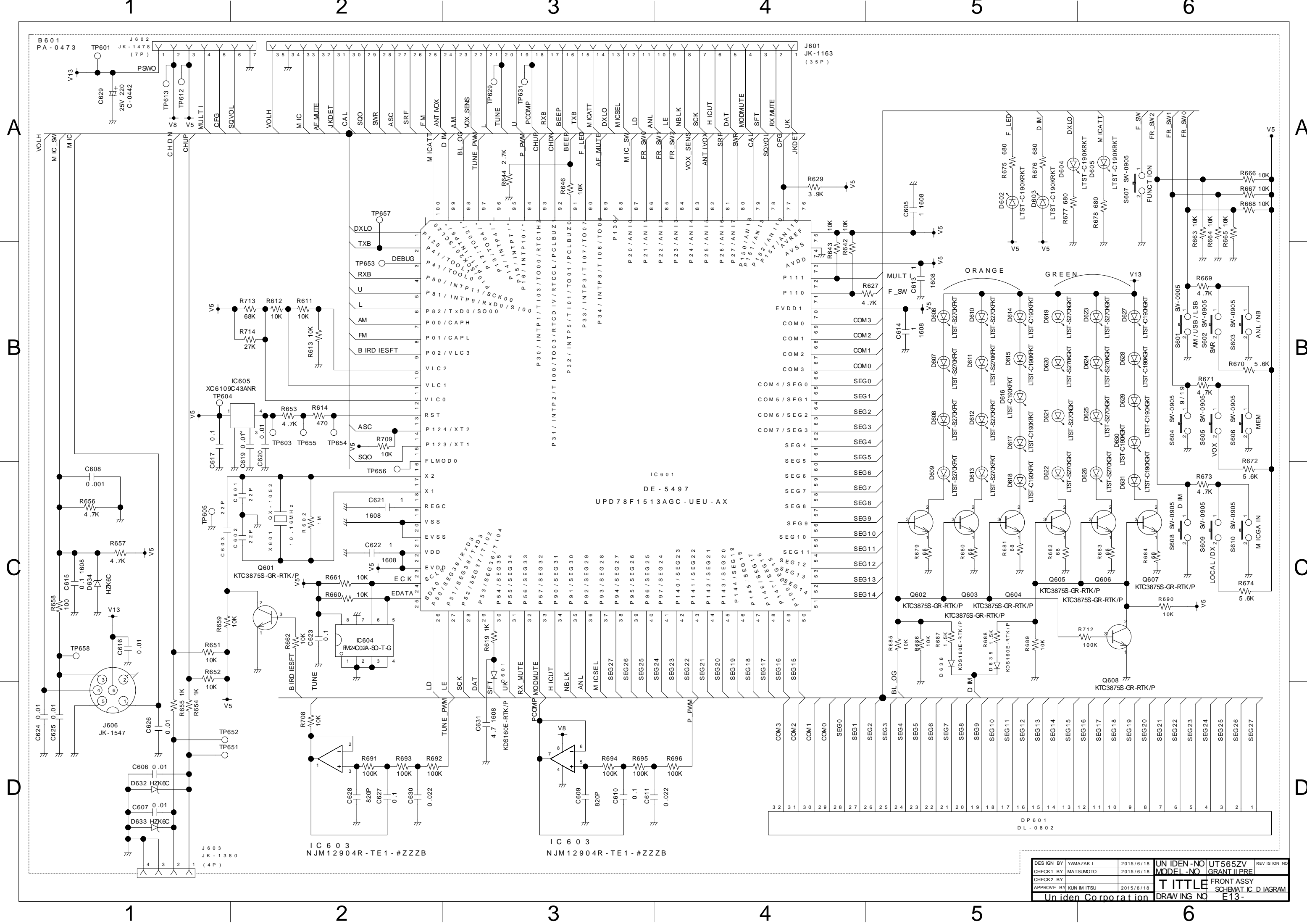
Q175

Q174

Q173

Q172

DESIGNED BY	DRAWN BY	DATE	REVISION
CHKD BY	APPD BY		
MAIN ASSY			
UNION CORPORATION			



DESIGN BY	YAMAZAKI	2015/6/18	UN IDEN-NO	UT565ZV	REV IS ION NO
CHECK1 BY	MATSUMOTO	2015/6/18	MODEL-NO	GRANT II PRE	
CHECK2 BY			TITTLE	FRONT ASSY	
APPROVE BY	KUNIMITSU	2015/6/18	SCHMATIC DIAGRAM		
Uniden Corporation			DRAWING NO	E13-	

1

2

3

4

5

6

A

A

B

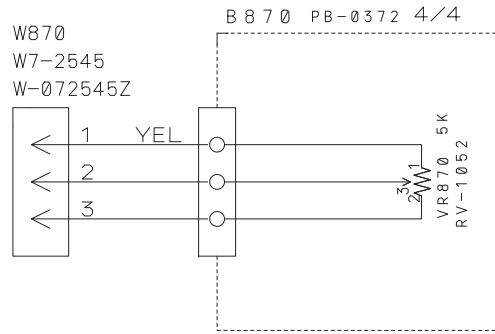
B

C

C

D

D



DESIGN BY	YAMAZAKI	2015/06/18	UNIDEN-NO	UT565ZV	REVISION NO
CHECK1 BY	MATSUMOTO	2015/06/18	MODEL-NO	Grani II PRE	
CHECK2 BY			TITLE	CLARIFIER ASSY	
APPROVE BY	KUNIMITSU	2015/06/18		SCHEMATIC DIAGRAM	
Uniden Corporation			DRAWING NO		

1

2

3

4

5

6

1

2

3

4

5

6

A

A

B

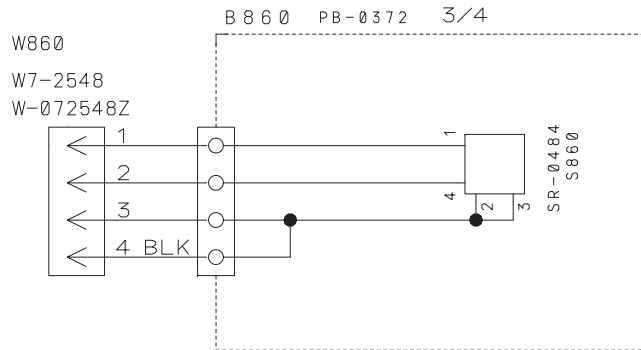
B

C

C

D

D



DESIGN BY	YAMAZAKI	2015/06/18	UNIDEN-NO	UT565ZV	REVISION NO
CHECK1 BY	MATSUMOTO	2015/06/18	MODEL-NO	Grani II PRE	
CHECK2 BY			TITLE	SWITCH ASSY	
APPROVE BY	KUNIMITSU	2015/06/18	TITLE	SCHEMATIC DIAGRAM	
Uniden Corporation			DRAWING NO		

1

2

3

4

5

6

1

2

3

4

5

6

A

B

C

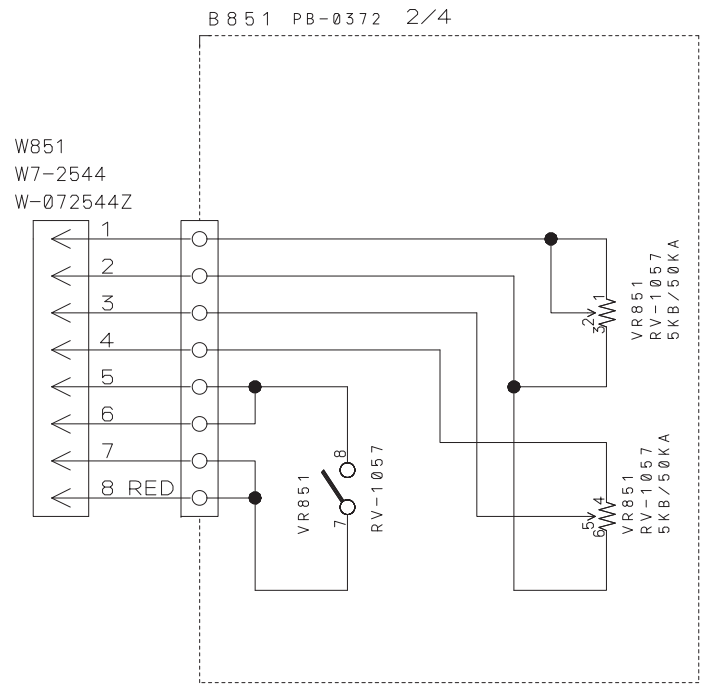
D

A

B

C

D



DESIGN BY	YAMAZAKI	2015/06/18	UNIDEN-NO	UT5657V	REVISION NO
CHECK1 BY	MATSUMOTO	2015/06/18	MODEL-NO	Grant I PRE	
CHECK2 BY			TITLE	VOLUME ASSY	
APPROVE BY	KUNIMITSU	2015/06/18		SCHEMATIC DIAGRAM	
Uniden Corporation			DRAWING NO		

1

2

3

4

5

6

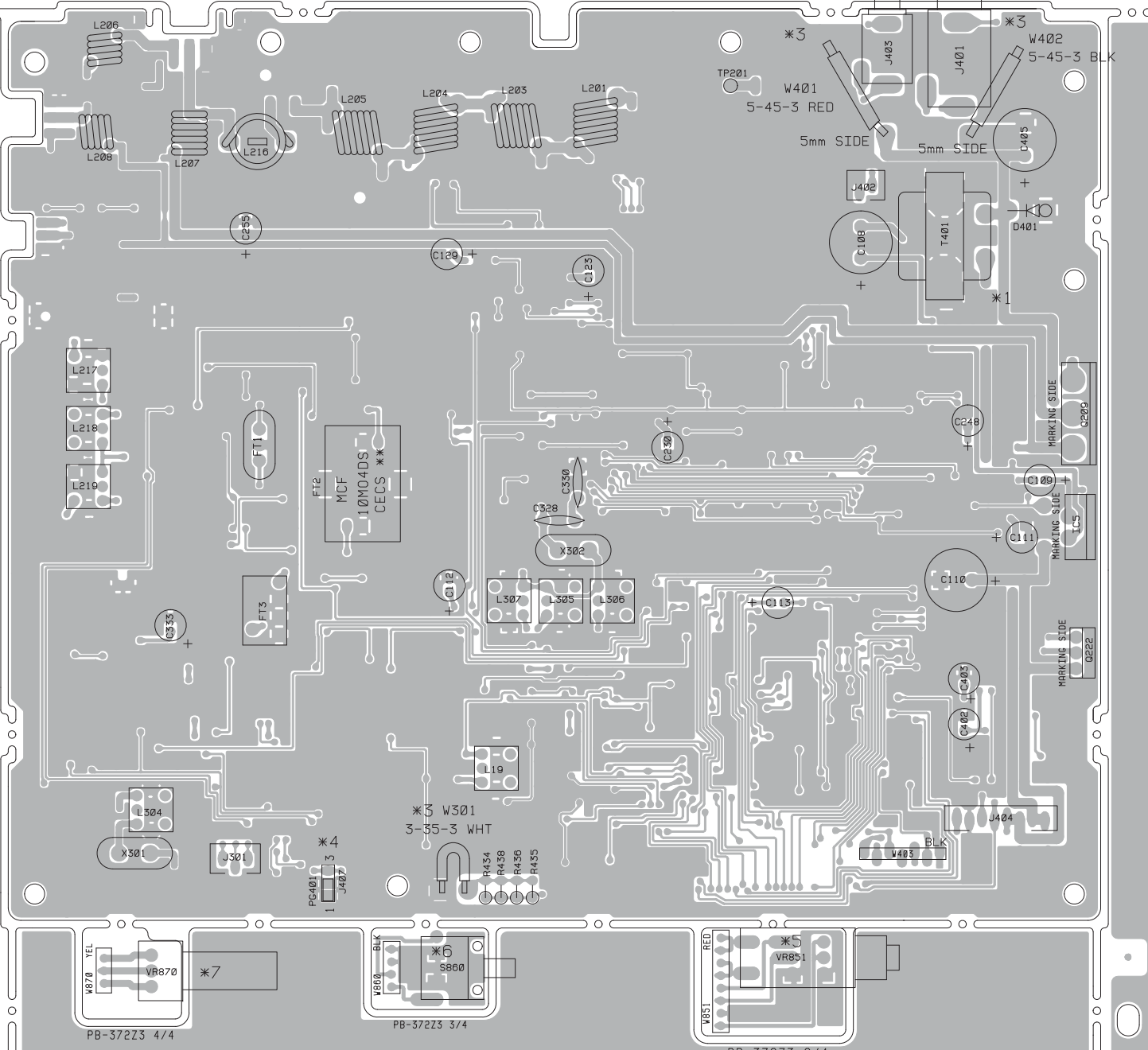


# **GRANTII PREMIUM**

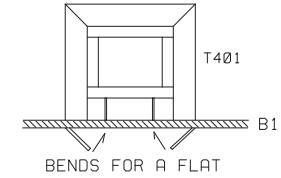
**COMPONENT LAYOUT**

B1 PB-372Z3(TOP VIEW)

USE Pb FREE SOLDER

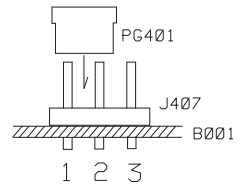


\*1



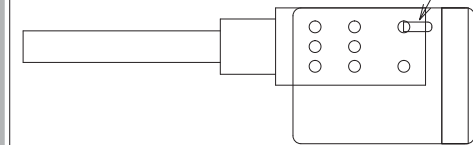
\*3 W301, W401, W402 AND W403 ARE SOLDERED BY DIP

\*4



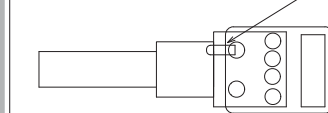
\*5 B851 PB-372Z3 2/4

[BOTTOM VIEW]



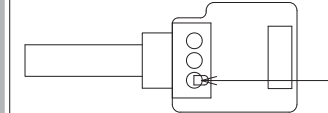
\*6 B860 PB-372Z3 3/4

[BOTTOM VIEW]



\*7 B870 PB-372Z3 4/4

[BOTTOM VIEW]



BEND THE LEAD TO THE THIS DIRECTION BEFORE DIP.

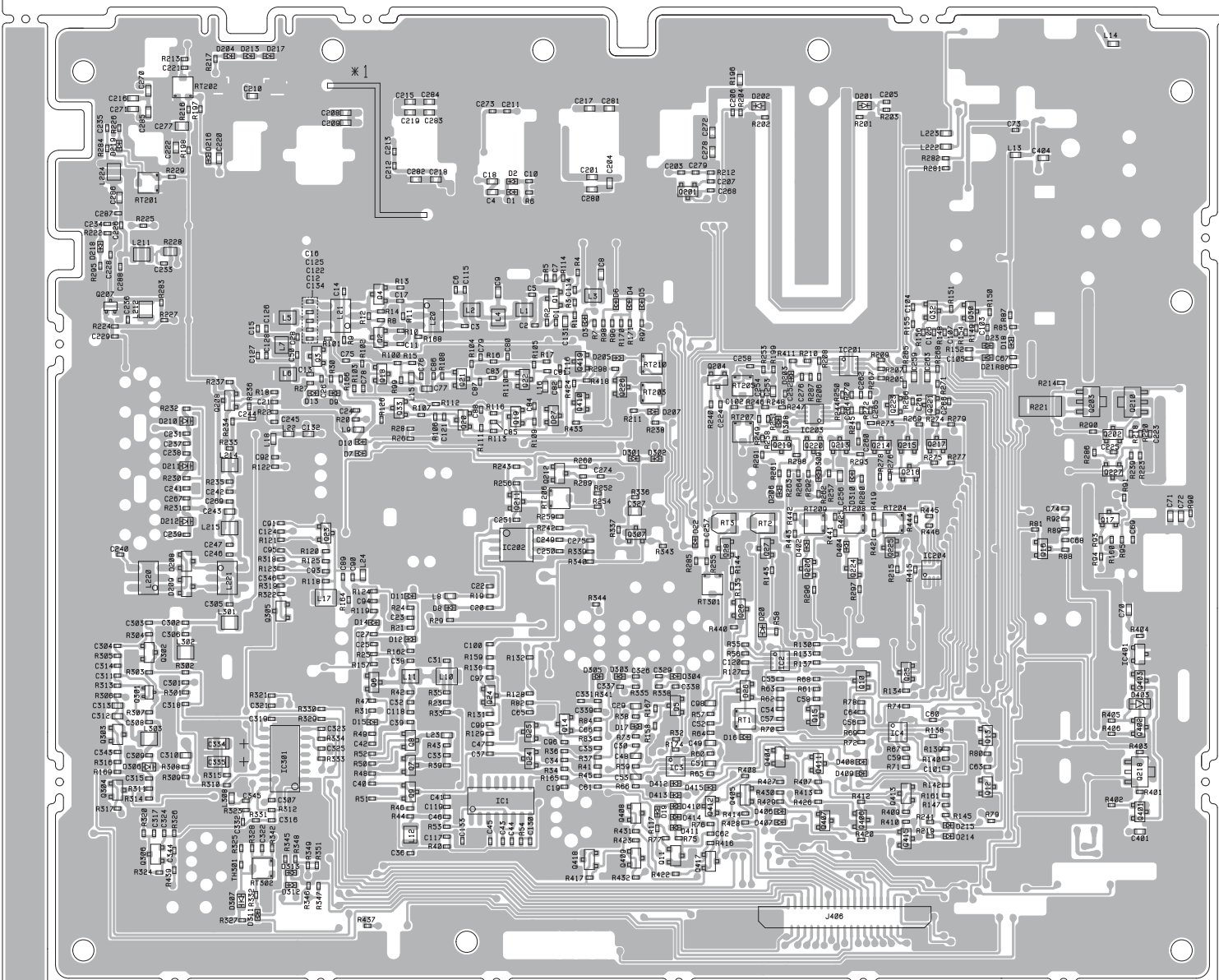
BEND THE LEAD TO THE THIS DIRECTION BEFORE DIP.

BEND THE LEAD TO THE THIS DIRECTION BEFORE DIP.

DESIGN. BY	DRAWN. BY	UNIDEN NO.	MODEL NO.
YAMAZAKI	YAMAZAKI	UT5651V	GRANT II PRE
2015/4/27	2015/4/27	TITLE	MAIN ASSY
CHECK. BY	APPRO. BY	PARTS ASSY TOP VIEW 1/2	
MATSUMOTO	KUNIMITSU	DRAWING NO.	
2015/4/27	2015/4/27	E23-	
REV. NO.			UNIDEN CORP.

USE Pb FREE SOLDER

B1 PB-372Z3 (TOP VIEW)

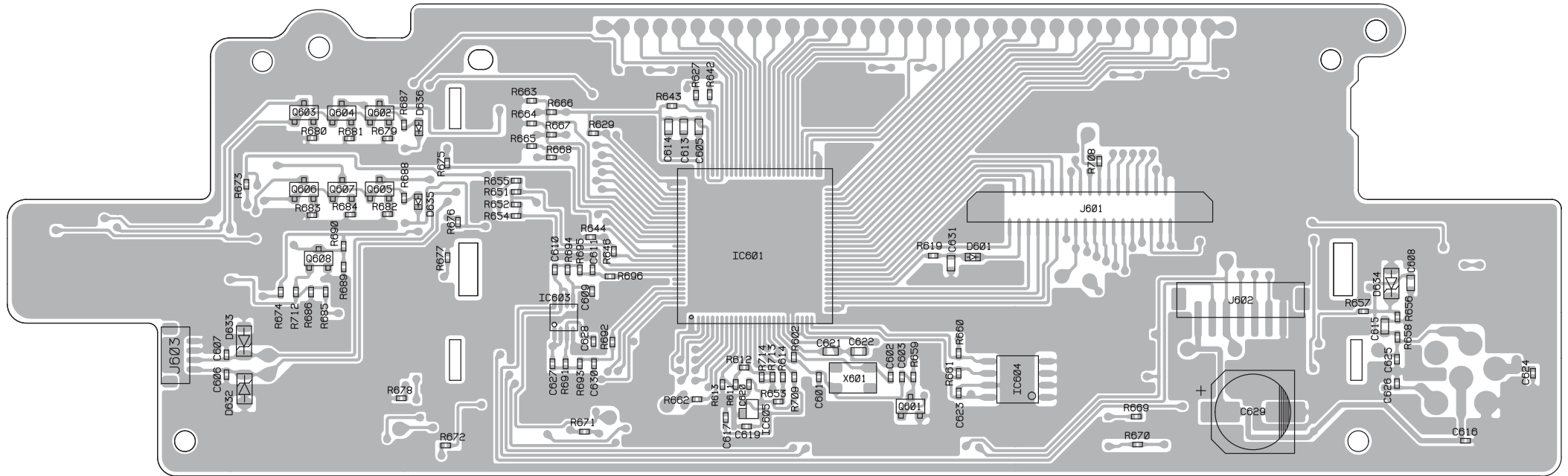


\*1 PLEASE REFLOW WITH SMD PARTS.

DESIGN BY	DRAWN BY	UNIDEN NO.	MODEL NO.
YAMAZAKI	YAMAZAKI	UT5651V	GRANT II PRE
2015/4/27	2015/4/27	TITLE	MAIN ASSY
CHECK BY	APPRO. BY	CHIP LAYOUT TOP VIEW 1/3	
MATSUMOTO	KUNIMITSU	DRAWING NO.	
2015/4/27	2015/4/27	E23-	
REV. NO.		UNIDEN CORP.	

USE Pb FREE SOLDER

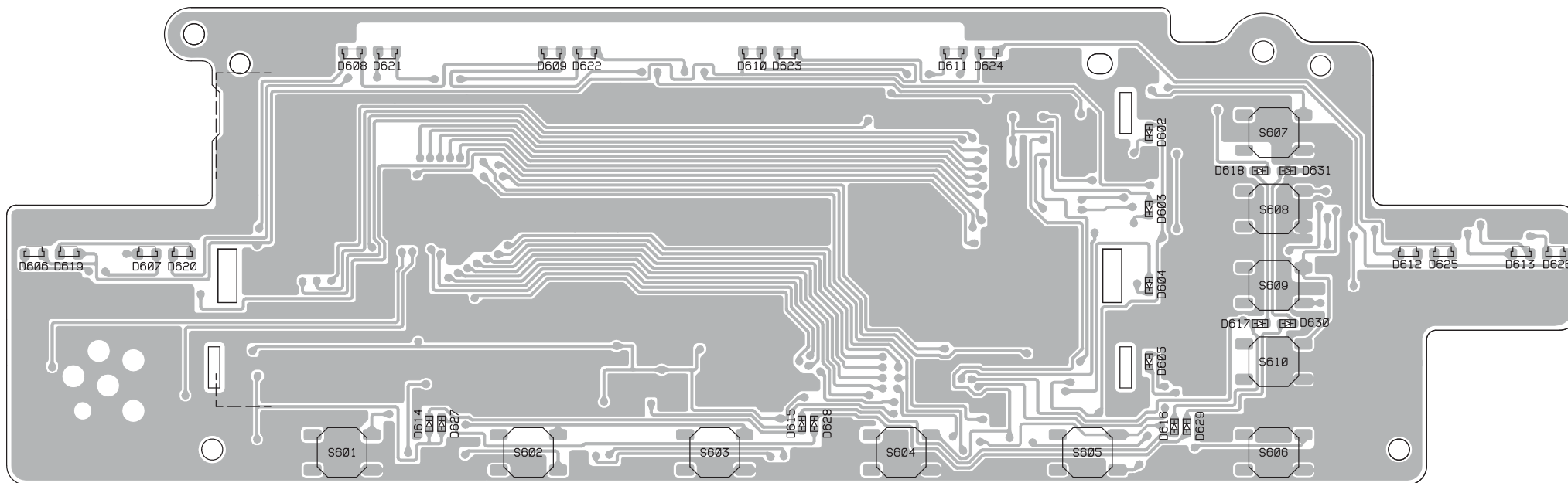
B601 PA-473X3 (TOP VIEW)



DESIGN. BY	DRAWN. BY	UNIDEN NO.	MODEL NO.
YAMAZAKI	YAMAZAKI	UT5651V	GRANT II PRE
2015/4/27	2015/4/27	TITLE	FRONT ASSY
CHECK. BY	APPRO. BY	CHIP LAYOUT TOP VIEW 1/2	
MATSUMOTO	KUNIMITSU	DRAWING NO.	
2015/4/27	2015/4/27	E24-	
REV. NO.		UNIDEN CORP.	

# B601 PA-473X3 (BOTTOM VIEW)

USE Pb FREE SOLDER

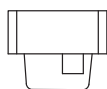


## \*1 DIRECTION

D606 D607 D608 D609 D610 D611 D612 D613  
D619 D620 D621 D622 D623 D624 D625 D626

D602 D603 D604 D605  
D614 D615 D616 D617 D618  
D627 D628 D629 D630 D631

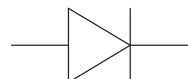
TOP VIEW



SIDE VIEW



CATHODE MARK



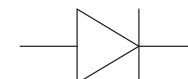
TOP VIEW



BOTTOM VIEW



CATHODE MARK



DESIGN. BY YAMAZAKI	DRAWN. BY YAMAZAKI	UNIDEN NO. UT5651V	MODEL NO. GRANT II PRE
2015/4/27	2015/4/27	TITLE FRONT ASSY	
CHECK. BY MATSUMOTO	APPRO. BY KUNIMITSU	CHIP LAYOUT BOTTOM VIEW 1/2	
2015/4/27	2015/4/27	DRAWING NO. E24-	
REV. NO.		UNIDEN CORP.	

# **GRANTII PREMIUM**

## **COMPONENTS LIST**

# COMPONENTS LIST

**Grant II Premium  
PARTS LIST (ELECTRONIC)**

REF No.	DESCRIPTION	SPEC	PARTS_CODE
B1	PCB:MAIN	PB-372AA 1/4	BPBG0372AA1
C1	C:CERAMIC M/L (1005) TAPE	0.01UF 16V K B	BCNB311035G
C2	C:CERAMIC M/L (1005) TAPE	22PF 50V J CH	BCNA812204G
C3	C:CERAMIC M/L (1005) TAPE	27PF 50V J CH	BCNA812704G
C4	C:CERAMIC M/L (1608) TAPE	100PF 50V J CH	BCMM811014G
C5	C:CERAMIC M/L (1005) TAPE	33PF 50V J CH	BCNA813304G
C6	C:CERAMIC M/L (1005) TAPE	15PF 50V J CH	BCNA811504G
C7	C:CERAMIC M/L (1005) TAPE	0.01UF 16V K B	BCNB311035G
C8	C:CERAMIC M/L (1608) TAPE	820PF 50V J CH	BCMM818214G
C9	C:CERAMIC M/L (1608) TAPE	560PF 50V J CH	BCMM815614G
C10	C:CERAMIC M/L (1005) TAPE	0.1u 10V K B	BCNB111045G
C11	C:CERAMIC M/L (1005) TAPE	0.01UF 16V K B	BCNB311035G
C12	C:CERAMIC M/L (1005) TAPE	33PF 50V J CH	BCNA813304G
C13	C:CERAMIC M/L (1005) TAPE	33PF 50V J CH	BCNA813304G
C14	C:CERAMIC M/L (1005) TAPE	0.01UF 16V K B	BCNB311035G
C15	C:CERAMIC M/L (1005) TAPE	100PF 50V J CH	BCNA811014G
C16	C:CERAMIC M/L (1005) TAPE	0.01uF 25V K B	BCNB511035G
C17	C:CERAMIC M/L (1005) TAPE	0.01UF 16V K B	BCNB311035G
C18	C:CERAMIC M/L (1608) TAPE	120PF 50V J CH	BCMM811214G
C19	C:CERAMIC M/L (1005) TAPE	0.015UF 16V K B	BCNB311535G
C20	C:CERAMIC M/L (1005) TAPE	33PF 50V J CH	BCNA813304G
C21	C:CERAMIC M/L (1005) TAPE	0.022UF 16V K B	BCNB312235G
C22	C:CERAMIC M/L (1005) TAPE	0.022UF 16V K B	BCNB312235G
C23	C:CERAMIC M/L (1005) TAPE	0.022UF 16V K B	BCNB312235G
C24	C:CERAMIC M/L (1005) TAPE	0.022UF 16V K B	BCNB312235G
C25	C:CERAMIC M/L (1005) TAPE	0.1u 10V K B	BCNB111045G
C26	C:CERAMIC M/L (1005) TAPE	33PF 50V J CH	BCNA813304G
C27	C:CERAMIC M/L (1005) TAPE	0.1u 10V K B	BCNB111045G
C28	C:CERAMIC M/L (1005) TAPE	12PF 50V J CH	BCNA811204G
C29	C:CERAMIC M/L (1608) TAPE	2.2UF 10V K B	BCML112295G
C30	C:CERAMIC M/L (1005) TAPE	100PF 50V J CH	BCNA811014G
C31	C:CERAMIC M/L (1005) TAPE	0.1u 10V K B	BCNB111045G
C32	C:CERAMIC M/L (1005) TAPE	470PF 50V J CH	BCNA814714G
C33	C:CERAMIC M/L (1005) TAPE	0.1u 10V K B	BCNB111045G
C34	C:CERAMIC M/L (1005) TAPE	100PF 50V J CH	BCNA811014G
C35	C:CERAMIC M/L (1005) TAPE	220PF 25V J CH	BCNA512214G
C36	C:CERAMIC M/L (1005) TAPE	0.0022u 50V K B	BCNB812225G
C37	C:CERAMIC M/L (1005) TAPE	0.001u 50V K B	BCNB811025G
C38	C:CERAMIC M/L (1005) TAPE	270PF 16V J CH	BCNA312714G
C39	C:CERAMIC M/L (1005) TAPE	470PF 50V J CH	BCNA814714G
C40	C:CERAMIC M/L (1005) TAPE	0.001u 50V K B	BCNB811025G
C41	C:CERAMIC M/L (1005) TAPE	68PF 50V J CH	BCNA816804G

C42	C:CERAMIC M/L (1005) TAPE	0.1u 10V K B	BCNB111045G
C43	C:CERAMIC M/L (1005) TAPE	0.1u 10V K B	BCNB111045G
C44	C:CERAMIC M/L (1005) TAPE	0.1u 10V K B	BCNB111045G
C45	C:CERAMIC M/L (1005) TAPE	0.1u 10V K B	BCNB111045G
C46	C:CERAMIC M/L (1005) TAPE	0.01UF 16V K B	BCNB311035G
C47	C:CERAMIC M/L (1005) TAPE	100PF 50V J CH	BCNA811014G
C48	C:CERAMIC M/L (1608) TAPE	390PF 50V J CH	BCMM813914G
C49	C:CERAMIC M/L (1608) TAPE	390PF 50V J CH	BCMM813914G
C50	C:CERAMIC M/L (1005) TAPE	12PF 50V J CH	BCNA811204G
C51	C:CERAMIC M/L (1608) TAPE	390PF 50V J CH	BCMM813914G
C52	C:CERAMIC M/L (1005) TAPE	0.1u 10V K B	BCNB111045G
C53	C:CERAMIC M/L (1608) TAPE	390PF 50V J CH	BCMM813914G
C54	C:CERAMIC M/L (1005) TAPE	1uF 10V M B	BCNB111056G
C55	C:CERAMIC M/L (1005) TAPE	0.01UF 16V K B	BCNB311035G
C56	C:CERAMIC M/L (1005) TAPE	0.022UF 16V K B	BCNB312235G
C57	C:CERAMIC M/L (1005) TAPE	1uF 10V M B	BCNB111056G
C58	C:CERAMIC M/L (1005) TAPE	0.1u 10V K B	BCNB111045G
C59	C:CERAMIC M/L (1005) TAPE	1uF 10V M B	BCNB111056G
C60	C:CERAMIC M/L (1005) TAPE	0.1u 10V K B	BCNB111045G
C61	C:CERAMIC M/L (1005) TAPE	0.033UF 10V K B	BCNB113335G
C62	C:CERAMIC M/L (1005) TAPE	0.047UF 10V K B	BCNB114735G
C63	C:CERAMIC M/L (1005) TAPE	0.022UF 16V K B	BCNB312235G
C64	C:CERAMIC M/L (1005) TAPE	220PF 50V J CH	BCNA812214G
C65	C:CERAMIC M/L (1005) TAPE	0.1u 10V K B	BCNB111045G
C66	C:CERAMIC M/L (1005) TAPE	0.1u 10V K B	BCNB111045G
C67	C:CERAMIC M/L (1005) TAPE	0.1u 10V K B	BCNB111045G
C68	C:CERAMIC M/L (1005) TAPE	0.1u 10V K B	BCNB111045G
C69	C:CERAMIC M/L (1005) TAPE	470PF 50V J CH	BCNA814714G
C70	C:CERAMIC M/L (1608) TAPE	0.1UF 16V K B	BCML311045G
C71	C:CERAMIC M/L (1608) TAPE	0.1UF 16V K B	BCML311045G
C72	C:CERAMIC M/L (1608) TAPE	0.1UF 16V K B	BCML311045G
C73	C:CERAMIC M/L (1005) TAPE	0.001u 50V K B	BCNB811025G
C74	C:CERAMIC M/L (1005) TAPE	0.001u 50V K B	BCNB811025G
C75	C:CERAMIC M/L (1005) TAPE	0.001u 50V K B	BCNB811025G
C76	C:CERAMIC M/L (1005) TAPE	0.1u 10V K B	BCNB111045G
C77	C:CERAMIC M/L (1608) TAPE	820PF 50V J CH	BCMM818214G
C78	C:CERAMIC M/L (1005) TAPE	0.01UF 16V K B	BCNB311035G
C79	C:CERAMIC M/L (1005) TAPE	0.1u 10V K B	BCNB111045G
C80	C:CERAMIC M/L (1005) TAPE	0.1u 10V K B	BCNB111045G
C81	C:CERAMIC M/L (1005) TAPE	33PF 50V J CH	BCNA813304G
C82	C:CERAMIC M/L (1005) TAPE	33PF 50V J CH	BCNA813304G
C83	C:CERAMIC M/L (1005) TAPE	0.001u 50V K B	BCNB811025G
C84	C:CERAMIC M/L (1005) TAPE	0.022UF 16V K B	BCNB312235G
C85	C:CERAMIC M/L (1005) TAPE	100PF 50V J CH	BCNA811014G
C86	C:CERAMIC M/L (1005) TAPE	0.001u 50V K B	BCNB811025G
C87	C:CERAMIC M/L (1005) TAPE	220PF 25V J CH	BCNA512214G
C88	C:CERAMIC M/L (1005) TAPE	0.0047UF 25V K B	BCNB514725G
C89	C:CERAMIC M/L (1005) TAPE	220PF 25V J CH	BCNA512214G
C90	C:CERAMIC M/L (1005) TAPE	220PF 50V J CH	BCNA812214G
C91	C:CERAMIC M/L (1005) TAPE	10PF 50V D CH	BCNA811002G
C92	C:CERAMIC M/L (1005) TAPE	0.01UF 16V K B	BCNB311035G



C93	C:CERAMIC M/L (1005) TAPE	0.1u 10V K B	BCNB111045G
C94	C:CERAMIC M/L (1005) TAPE	0.1u 10V K B	BCNB111045G
C95	C:CERAMIC M/L (1005) TAPE	0.1u 10V K B	BCNB111045G
C96	C:CERAMIC M/L (1005) TAPE	0.001u 50V K B	BCNB811025G
C97	C:CERAMIC M/L (1005) TAPE	0.22uF 6.3V M B	BCNB902246G
C98	C:CERAMIC M/L (1608) TAPE	2.2UF 10V K B	BCML112295G
C99	C:CERAMIC M/L (1005) TAPE	100PF 50V J CH	BCNA811014G
C100	C:CERAMIC M/L (1005) TAPE	0.001u 50V K B	BCNB811025G
C101	C:CERAMIC M/L (1005) TAPE	0.01UF 16V K B	BCNB311035G
C102	C:CERAMIC M/L (1005) TAPE	470PF 50V J CH	BCNA814714G
C103	C:CERAMIC M/L (1005) TAPE	0.01UF 16V K B	BCNB311035G
C104	C:CERAMIC M/L (1005) TAPE	0.047UF 10V K B	BCNB114735G
C105	C:CERAMIC M/L (1005) TAPE	0.1u 10V K B	BCNB111045G
C106	C:CERAMIC M/L (1005) TAPE	0.018UF 16V K B	BCNB311835G
C107	C:CERAMIC M/L (1005) TAPE	1uF 10V M B	BCNB111056G
C108	C:ELECTROLYTIC	470UF 25V M C-480	BCNZ514716G
C109	C:ELECTROLYTIC	47UF 25V M C-480	BCNZ514706G
C110	C:ELECTROLYTIC	1000UF 25V M C-480	BCNZ511026G
C111	C:ELECTROLYTIC	100UF 10V M C-480	BCNZ111016G
C112	C:ELECTROLYTIC	47UF 25V M C-480	BCNZ514706G
C113	C:ELECTROLYTIC	4.7UF 50V M C-480	BCNZ814796G
C114	C:CERAMIC M/L (1005) TAPE	0.01UF 16V K B	BCNB311035G
C115	C:CERAMIC M/L (1005) TAPE	15PF 50V J CH	BCNA811504G
C116	C:CERAMIC M/L (1005) TAPE	0.1u 10V K B	BCNB111045G
C117	C:CERAMIC M/L (1005) TAPE	0.1u 10V K B	BCNB111045G
C118	C:CERAMIC M/L (1005) TAPE	470PF 50V J CH	BCNA814714G
C119	C:CERAMIC M/L (1005) TAPE	120PF 50V J CH	BCNA811214G
C120	C:CERAMIC M/L (1005) TAPE	0.047UF 10V K B	BCNB114735G
C121	C:CERAMIC M/L (1005) TAPE	100PF 50V J CH	BCNA811014G
C122	C:CERAMIC M/L (1005) TAPE	100PF 50V J CH	BCNA811014G
C123	C:ELECTROLYTIC	47UF 25V M C-480	BCNZ514706G
C125	C:CERAMIC M/L (1005) TAPE	100PF 50V J CH	BCNA811014G
C126	C:CERAMIC M/L (1005) TAPE	100PF 50V J CH	BCNA811014G
C127	C:CERAMIC M/L (1005) TAPE	100PF 50V J CH	BCNA811014G
C128	C:CERAMIC M/L (1005) TAPE	100PF 50V J CH	BCNA811014G
C129	C:ELECTROLYTIC	47UF 25V M C-480	BCNZ514706G
C131	C:CERAMIC M/L (1608) TAPE	2.2UF 10V K B	BCML112295G
C132	C:CERAMIC M/L (1608) TAPE	0.01UF 50V K B	BCML811035G
C133	C:CERAMIC M/L (1005) TAPE	100PF 50V J CH	BCNA811014G
C201	C:CERAMIC M/L (1608) TAPE	39PF 50V J CH	BCMM813904G
C203	C:CERAMIC M/L (1005) TAPE	3PF 50V C CH	BCNA813091G
C204	C:CERAMIC M/L (1608) TAPE	220PF 50V J CH	BCMM812214G
C205	C:CERAMIC M/L (1005) TAPE	0.01UF 16V K B	BCNB311035G
C206	C:CERAMIC M/L (1005) TAPE	0.01UF 16V K B	BCNB311035G
C207	C:CERAMIC M/L (1005) TAPE	68PF 50V J CH	BCNA816804G
C208	C:CERAMIC M/L (1608) TAPE	220PF 50V J CH	BCMM812214G
C209	C:CERAMIC M/L (1608) TAPE	220PF 50V J CH	BCMM812214G
C210	C:CERAMIC M/L (1608) TAPE	9PF 50V D CH	BCMM819092G
C211	C:CERAMIC M/L (1005) TAPE	33PF 50V J CH	BCNA813304G
C212	C:CERAMIC M/L (1005) TAPE	22PF 50V J CH	BCNA812204G
C213	C:CERAMIC M/L (1005) TAPE	18PF 50V J CH	BCNA811804G

C215	C:CERAMIC M/L (1608) TAPE	680PF 50V J CH	BCMM816814G
C217	C:CERAMIC M/L (1608) TAPE	270PF 50V J CH	BCMM812714G
C218	C:CERAMIC M/L (1608) TAPE	180PF 50V J CH	BCMM811814G
C219	C:CERAMIC M/L (1608) TAPE	820PF 50V J CH	BCMM818214G
C220	C:CERAMIC M/L (1608) TAPE	0.1UF 50V K B	BCML811045G
C221	C:CERAMIC M/L (1005) TAPE	0.01UF 16V K B	BCNB311035G
C222	C:CERAMIC M/L (1608) TAPE	0.01UF 50V K B	BCML811035G
C223	C:CERAMIC M/L (1005) TAPE	0.1u 10V K B	BCNB111045G
C224	C:CERAMIC M/L (1005) TAPE	0.1u 10V K B	BCNB111045G
C225	C:CERAMIC M/L (1005) TAPE	0.0047UF 25V K B	BCNB514725G
C226	C:CERAMIC M/L (1005) TAPE	100PF 50V J CH	BCNA811014G
C228	C:CERAMIC M/L (1005) TAPE	56PF 50V J CH	BCNA815604G
C229	C:CERAMIC M/L (1005) TAPE	68PF 50V J CH	BCNA816804G
C230	C:ELECTROLYTIC	47UF 25V M C-480	BCNZ514706G
C231	C:CERAMIC M/L (1005) TAPE	82PF 50V J CH	BCNA818204G
C233	C:CERAMIC M/L (1005) TAPE	0.01UF 16V K B	BCNB311035G
C234	C:CERAMIC M/L (1005) TAPE	0.01UF 16V K B	BCNB311035G
C235	C:CERAMIC M/L (1005) TAPE	0.01UF 16V K B	BCNB311035G
C236	C:CERAMIC M/L (1005) TAPE	0.01UF 16V K B	BCNB311035G
C237	C:CERAMIC M/L (1005) TAPE	2PF 50V B CH	BCNA812098G
C238	C:CERAMIC M/L (1005) TAPE	82PF 50V J CH	BCNA818204G
C239	C:CERAMIC M/L (1005) TAPE	82PF 50V J CH	BCNA818204G
C240	C:CERAMIC M/L (1005) TAPE	68PF 50V J CH	BCNA816804G
C241	C:CERAMIC M/L (1005) TAPE	470PF 50V J CH	BCNA814714G
C242	C:CERAMIC M/L (1005) TAPE	0.01UF 16V K B	BCNB311035G
C243	C:CERAMIC M/L (1608) TAPE	680PF 50V J CH	BCMM816814G
C244	C:CERAMIC M/L (1005) TAPE	0.01UF 16V K B	BCNB311035G
C245	C:CERAMIC M/L (1005) TAPE	0.01UF 16V K B	BCNB311035G
C246	C:CERAMIC M/L (1005) TAPE	220PF 25V J CH	BCNA512214G
C247	C:CERAMIC M/L (1005) TAPE	220PF 25V J CH	BCNA512214G
C248	C:ELECTROLYTIC	47UF 25V M C-480	BCNZ514706G
C249	C:CERAMIC M/L (1005) TAPE	0.01UF 16V K B	BCNB311035G
C250	C:CERAMIC M/L (1005) TAPE	1uF 10V M B	BCNB111056G
C251	C:CERAMIC M/L (1005) TAPE	0.01UF 16V K B	BCNB311035G
C252	C:CERAMIC M/L (1005) TAPE	68PF 50V J CH	BCNA816804G
C253	C:CERAMIC M/L (1608) TAPE	820PF 50V J CH	BCMM818214G
C254	C:CERAMIC M/L (1005) TAPE	330PF 16V J CH	BCNA313314G
C255	C:ELECTROLYTIC	4.7UF 50V M C-480	BCNZ814796G
C256	C:CERAMIC M/L (1608) TAPE	4.7UF 6.3V K B	BCML904755G
C257	C:CERAMIC M/L (1005) TAPE	0.1u 10V K B	BCNB111045G
C258	C:CERAMIC M/L (1005) TAPE	0.1u 10V K B	BCNB111045G
C259	C:CERAMIC M/L (1608) TAPE	2.2UF 10V K B	BCML112295G
C260	C:CERAMIC M/L (1005) TAPE	0.22uF 6.3V M B	BCNB902246G
C261	C:CERAMIC M/L (1005) TAPE	0.001u 50V K B	BCNB811025G
C262	C:CERAMIC M/L (1005) TAPE	1uF 10V M B	BCNB111056G
C263	C:CERAMIC M/L (1608) TAPE	2.2UF 10V K B	BCML112295G
C264	C:CERAMIC M/L (1005) TAPE	0.1u 10V K B	BCNB111045G
C265	C:CERAMIC M/L (1005) TAPE	0.22uF 6.3V M B	BCNB902246G
C266	C:CERAMIC M/L (1005) TAPE	0.001u 50V K B	BCNB811025G
C267	C:CERAMIC M/L (1005) TAPE	1UF 6.3V K B	BCNB901055G
C268	C:CERAMIC M/L (1005) TAPE	0.0047UF 25V K B	BCNB514725G

C269	C:CERAMIC M/L (1005) TAPE	150PF 50V J CH	BCNA811514G
C270	C:CERAMIC M/L (1608) TAPE	680PF 50V J CH	BCMM816814G
C271	C:CERAMIC M/L (1608) TAPE	22PF 50V J CH	BCMM812204G
C272	C:CERAMIC M/L (1608) TAPE	47PF 50V J CH	BCMM814704G
C273	C:CERAMIC M/L (1005) TAPE	33PF 50V J CH	BCNA813304G
C274	C:CERAMIC M/L (1005) TAPE	1uF 10V M B	BCNB111056G
C275	C:CERAMIC M/L (1005) TAPE	0.01UF 16V K B	BCNB311035G
C276	C:CERAMIC M/L (1005) TAPE	1uF 10V M B	BCNB111056G
C277	C:CERAMIC M/L (2125)	4.7UF 10V K B C-384	BCYE114755G
C278	C:CERAMIC M/L (1608) TAPE	39PF 50V J CH	BCMM813904G
C279	C:CERAMIC M/L (1005) TAPE	3PF 50V C CH	BCNA813091G
C280	C:CERAMIC M/L (1608) TAPE	470PF 50V J CH	BCMM814714G
C281	C:CERAMIC M/L (1608) TAPE	220PF 50V J CH	BCMM812214G
C282	C:CERAMIC M/L (1608) TAPE	180PF 50V J CH	BCMM811814G
C283	C:CERAMIC M/L (1608) TAPE	390PF 50V J CH	BCMM813914G
C284	C:CERAMIC M/L (1608) TAPE	470PF 50V J CH	BCMM814714G
C285	C:CERAMIC M/L (1608) TAPE	330PF 50V J CH	BCMM813314G
C286	C:CERAMIC M/L (1608) TAPE	820PF 50V J CH	BCMM818214G
C287	C:CERAMIC M/L (1005) TAPE	150PF 50V J CH	BCNA811514G
C288	C:CERAMIC M/L (1005) TAPE	68PF 50V J CH	BCNA816804G
C301	C:CERAMIC M/L (1005) TAPE	0.01UF 16V K B	BCNB311035G
C302	C:CERAMIC M/L (1005) TAPE	120PF 50V J CH	BCNA811214G
C303	C:CERAMIC M/L (1005) TAPE	0.001u 50V K B	BCNB811025G
C304	C:CERAMIC M/L (1005) TAPE	5PF 50V C CH	BCNA815091G
C305	C:CERAMIC M/L (1005) TAPE	100PF 50V J CH	BCNA811014G
C306	C:CERAMIC M/L (1005) TAPE	100PF 50V J CH	BCNA811014G
C307	C:CERAMIC M/L (1005) TAPE	1uF 10V M B	BCNB111056G
C308	C:CERAMIC M/L (1005) TAPE	27PF 50V J CH	BCNA812704G
C309	C:CERAMIC M/L (1005) TAPE	56PF 50V J CH	BCNA815604G
C310	C:CERAMIC (1608)	CZ-387 EMK107SD103JA-T	BCZG0387001
C311	C:CERAMIC M/L (1005) TAPE	330PF 16V J CH	BCNA313314G
C312	C:CERAMIC M/L (1608) TAPE	820PF 50V J CH	BCMM818214G
C313	C:CERAMIC M/L (1608) TAPE	390PF 50V J CH	BCMM813914G
C314	C:CERAMIC M/L (1005) TAPE	39PF 50V J CH	BCNA813904G
C315	C:CERAMIC M/L (1005) TAPE	470PF 50V J CH	BCNA814714G
C316	C:CERAMIC M/L (1005) TAPE	15PF 50V J CH	BCNA811504G
C317	C:CERAMIC M/L (1005) TAPE	0.01UF 16V K B	BCNB311035G
C318	C:CERAMIC M/L (1005) TAPE	15PF 50V J CH	BCNA811504G
C319	C:CERAMIC M/L (1005) TAPE	470PF 50V J CH	BCNA814714G
C321	C:CERAMIC M/L (1005) TAPE	0.0047UF 25V K B	BCNB514725G
C322	C:CERAMIC M/L (1005) TAPE	0.0047UF 25V K B	BCNB514725G
C323	C:CERAMIC M/L (1005) TAPE	470PF 50V J CH	BCNA814714G
C324	C:CERAMIC M/L (1005) TAPE	100PF 50V J CH	BCNA811014G
C325	C:CERAMIC M/L (1005) TAPE	470PF 50V J CH	BCNA814714G
C326	C:CERAMIC M/L (1005) TAPE	33PF 50V J CH	BCNA813304G
C327	C:CERAMIC M/L (2125) TAPE	10UF 16V K B	BCXT311065G
C328	C:CERAMIC TS5.0S	330PF 50V J UJ	BCHU813314G
C329	C:CERAMIC M/L (1005) TAPE	15PF 50V J CH	BCNA811504G
C330	C:CERAMIC TS5.0S	100PF 50V J UJ	BCHU811014G
C331	C:CERAMIC M/L (1005) TAPE	56PF 50V J CH	BCNA815604G
C332	C:CERAMIC M/L (1005) TAPE	15PF 50V J CH	BCNA811504G

C333	C:ELECTROLYTIC	220UF 10V M C-480	BCNZ112216G
C334	C:TANTALUM	SA-CA45-1C225M-RA C-488	BCWW312296G
C335	C:TANTALUM	SA-CA45-1V224M-RA C-488	BCWW662286G
C337	C:CERAMIC M/L (1005) TAPE	0.01UF 16V K B	BCNB311035G
C338	C:CERAMIC M/L (1005) TAPE	0.01UF 16V K B	BCNB311035G
C339	C:CERAMIC M/L (1005) TAPE	0.01UF 16V K B	BCNB311035G
C343	C:CERAMIC M/L (1005) TAPE	0.01UF 16V K B	BCNB311035G
C344	C:CERAMIC M/L (1005) TAPE	330PF 16V J CH	BCNA313314G
C345	C:CERAMIC M/L (1005) TAPE	18PF 50V J CH	BCNA811804G
C401	C:CERAMIC M/L (1608) TAPE	0.1UF 50V K B	BCML811045G
C402	C:ELECTROLYTIC	47UF 25V M C-480	BCNZ514706G
C403	C:ELECTROLYTIC	47UF 25V M C-480	BCNZ514706G
C404	C:CERAMIC M/L (1608) TAPE	0.01UF 50V K B	BCML811035G
C405	C:ELECTROLYTIC	1000UF 25V M C-480	BCNZ511026G
D1	DIODE	KDS114E-RTK/P	BDAG1269001
D2	DIODE	KDS114E-RTK/P	BDAG1269001
D3	DIODE	KDS160E-RTK/P	BDAG1270001
D4	DIODE	KDS160E-RTK/P	BDAG1270001
D5	DIODE	KDS160E-RTK/P	BDAG1270001
D6	DIODE	KDS160E-RTK/P	BDAG1270001
D7	DIODE	KDS114E-RTK/P	BDAG1269001
D8	DIODE	KDS114E-RTK/P	BDAG1269001
D9	DIODE	KDS114E-RTK/P	BDAG1269001
D10	DIODE	KDS114E-RTK/P	BDAG1269001
D11	DIODE	KDS114E-RTK/P	BDAG1269001
D12	DIODE	KDS114E-RTK/P	BDAG1269001
D13	DIODE	KDS114E-RTK/P	BDAG1269001
D14	DIODE	KDS114E-RTK/P	BDAG1269001
D15	DIODE	KDS160E-RTK/P	BDAG1270001
D16	DIODE	KDS160E-RTK/P	BDAG1270001
D17	DIODE	KDS160E-RTK/P	BDAG1270001
D18	DIODE	KDS160E-RTK/P	BDAG1270001
D19	DIODE	KDS160E-RTK/P	BDAG1270001
D20	DIODE	1N728WS	BDAG1559001
D21	DIODE	KDS160E-RTK/P	BDAG1270001
D22	DIODE	KDS160E-RTK/P	BDAG1270001
D23	DIODE	KDS160E-RTK/P	BDAG1270001
D24	DIODE	BAR43S	BDAG1590001
D25	DIODE	BAR43S	BDAG1590001
D26	DIODE	BAR43S	BDAG1590001
D27	DIODE	BAR43S	BDAG1590001
D201	DIODE	1N728WS	BDAG1559001
D202	DIODE	1N728WS	BDAG1559001
D203	DIODE	KDS160E-RTK/P	BDAG1270001
D204	DIODE	KDS160E-RTK/P	BDAG1270001
D205	DIODE	KDS160E-RTK/P	BDAG1270001
D206	DIODE	KDS160E-RTK/P	BDAG1270001
D207	DIODE	KDS160E-RTK/P	BDAG1270001
D208	DIODE	RB706D-40 T146	BDAG1004001
D209	DIODE	RB706D-40 T146	BDAG1004001
D210	DIODE:VARICAP	1SV262	BDAG1249001

D211	DIODE:VARICAP	1SV262	BDAG1249001
D212	DIODE:VARICAP	1SV262	BDAG1249001
D213	DIODE	KDS160E-RTK/P	BDAG1270001
D214	DIODE	KDS160E-RTK/P	BDAG1270001
D215	DIODE	KDS160E-RTK/P	BDAG1270001
D216	DIODE	KDS160E-RTK/P	BDAG1270001
D217	DIODE	KDS160E-RTK/P	BDAG1270001
D218	DIODE	KDS160E-RTK/P	BDAG1270001
D219	DIODE	KDS160E-RTK/P	BDAG1270001
D301	DIODE	KDS160E-RTK/P	BDAG1270001
D302	DIODE	KDS160E-RTK/P	BDAG1270001
D303	DIODE	KDS114E-RTK/P	BDAG1269001
D304	DIODE	KDS114E-RTK/P	BDAG1269001
D305	DIODE	KDS114E-RTK/P	BDAG1269001
D306	DIODE:VARICAP	1SV262	BDAG1249001
D307	DIODE:VARICAP	1SV262	BDAG1249001
D308	DIODE	KDS160E-RTK/P	BDAG1270001
D309	DIODE	KDS160E-RTK/P	BDAG1270001
D310	DIODE	KDS160E-RTK/P	BDAG1270001
D311	DIODE	KDS160E-RTK/P	BDAG1270001
D312	DIODE	KDS160E-RTK/P	BDAG1270001
D313	DIODE	KDS160E-RTK/P	BDAG1270001
D401	DIODE	1N5401	BDAG1662001
D402	DIODE	KDS160E-RTK/P	BDAG1270001
D403	DIODE:ZENER	HZK6B	BDAG1423009
D404	DIODE	KDS160E-RTK/P	BDAG1270001
D406	DIODE	KDS160E-RTK/P	BDAG1270001
D407	DIODE	KDS160E-RTK/P	BDAG1270001
D408	DIODE	KDS160E-RTK/P	BDAG1270001
D409	DIODE	KDS160E-RTK/P	BDAG1270001
D410	DIODE	KDS160E-RTK/P	BDAG1270001
D411	DIODE	KDS160E-RTK/P	BDAG1270001
D412	DIODE	KDS160E-RTK/P	BDAG1270001
D413	DIODE	KDS160E-RTK/P	BDAG1270001
D414	DIODE	KDS160E-RTK/P	BDAG1270001
D415	DIODE	KDS160E-RTK/P	BDAG1270001
FT1	FILTER:CRYSTAL	FL-1087 10M07AZ	BFLG1087001
FT2	FILTER:CRYSTAL	FL-1132 10M04DS	BFLG1132001
FT3	FILTER:CERAMIC	FL-1170 LTS455HTW	BFLG1170001
IC1	INTEGRATED CIRCUIT	MC3361	BDEG5186003
IC2	INTEGRATED CIRCUIT	NJM12904R-TE1-#ZZZB	BDEG4463003
IC3	INTEGRATED CIRCUIT	NJM12904R-TE1-#ZZZB	BDEG4463003
IC4	INTEGRATED CIRCUIT	NJM12904R-TE1-#ZZZB	BDEG4463003
IC5	INTEGRATED CIRCUIT	TDA2003L-TB5-T	BDEG5194001
IC201	INTEGRATED CIRCUIT	NJM12904R-TE1-#ZZZB	BDEG4463003
IC202	INTEGRATED CIRCUIT	NJM2594M-TE1-#ZZZB	BDEG4809003
IC203	INTEGRATED CIRCUIT	NJM12904R-TE1-#ZZZB	BDEG4463003
IC204	INTEGRATED CIRCUIT	NJM12904R-TE1-#ZZZB	BDEG4463003
IC301	INTEGRATED CIRCUIT	BU2630F-E2	BDEG2769003
IC401	INTEGRATED CIRCUIT	CJ431 (SOT23)	BDEG5121003
J301	JACK	JK-1633 A2001WV2-3P	BJKG1633003

J401	JACK: EARPHONE	JK-1310 PJ-305C	BJKG1310001
J402	JACK	JK-1633 A2001WV2-2P	BJKG1633002
J403	JACK: MIC	JK-1435 EJM-3-0125N	BJKG1435001
J404	JACK	JK-1633 A2001WV2-8P	BJKG1633008
J406	JACK	JK-1163 9639S-35Y911	BJKG1163035
J407	JACK	JK-1249 IMSA-9210B-1-03Z058-PT1	BJKG1249003
L1	INDUCTOR: MOLDED CHIP	LZ-365 SDWL2520CR68GSTF 0.68UH	BLZG0365688
L2	INDUCTOR: MOLDED CHIP	LZ-365 SDWL2520CR68GSTF 0.68UH	BLZG0365688
L3	INDUCTOR: MOLDED CHIP	LZ-365 SDWL2520CR39GSTF 0.39UH	BLZG0365398
L4	INDUCTOR: MOLDED CHIP	LZ-365 SDWL2520CR39GSTF 0.39UH	BLZG0365398
L5	INDUCTOR: MOLDED CHIP	LZ-365 SDWL2520C1ROGSTF 1UH	BLZG0365109
L6	INDUCTOR: MOLDED CHIP	LZ-365 SDWL2520C1ROGSTF 1UH	BLZG0365109
L7	INDUCTOR: MOLDED CHIP	LZ-365 SDWL2520C1ROGSTF 1UH	BLZG0365109
L8	INDUCTOR: MOLDED CHIP	LZ-226 SGMI1608K100K T	BLZG0226100
L9	INDUCTOR: MOLDED CHIP	LZ-226 SGMI1608N180K T	BLZG0226180
L10	INDUCTOR: WIND CHIP TAPE	LZ-393 SDWL3225F101JTF	BLZG0393101
L11	INDUCTOR: MOLDED CHIP	LZ-365 SDWL2520C1ROGSTF 1UH	BLZG0365109
L12	INDUCTOR: MOLDED CHIP	LZ-365 SDWL2520C1ROGSTF 1UH	BLZG0365109
L13	LZ: INDUCTOR: MOLDED CHIP	LZ-381 UPZ1608E221-2ROTF	BLZG0381001
L14	LZ: INDUCTOR: MOLDED CHIP	LZ-381 UPZ1608E221-2ROTF	BLZG0381001
L15	INDUCTOR: MOLDED CHIP	LZ-226 SGMI1608GR47K T	BLZG0226478
L16	INDUCTOR: MOLDED CHIP	LZ-226 SGMI1608K8R2K T	BLZG0226829
L17	INDUCTOR: WIND CHIP TAPE	LZ-393 SDWL3225F471JTF	BLZG0393471
L18	INDUCTOR: MOLDED CHIP	LZ-226 SGMI1608K100K T	BLZG0226100
L19	COIL	LB-1301 7DL-C7306-LF	BLBG1301001
L20	COIL	LD-362 DB43-8TS:8TS-LF	BLDG0362001
L21	COIL	LD-362 DB43-8TS:8TS-LF	BLDG0362001
L22	INDUCTOR: MOLDED CHIP	LZ-226 SGMI1608M1R0K T	BLZG0226109
L23	INDUCTOR: MOLDED CHIP	LZ-226 SGMI1608M4R7K T	BLZG0226479
L24	INDUCTOR: MOLDED CHIP	LZ-226 SGMI1608M1R0K T	BLZG0226109
L201	COIL	LE-483 SZFDLLE-483	BLEH0483001
L203	COIL	LE-595 AC1975	BLEG0595001
L204	COIL	LE-595 AC1975	BLEG0595001
L205	COIL	LE-483 SZFDLLE-483	BLEH0483001
L206	COIL	LE-0600	BLEG0600001
L207	COIL	LE-475 SZFDLLE-475	BLEH0475001
L208	COIL	LE-0600	BLEG0600001
L211	INDUCTOR: MOLDED CHIP	LZ-365 SDWL2520CR47GSTF 0.47UH	BLZG0365478
L212	INDUCTOR: MOLDED CHIP	LZ-365 SDWL2520CR47GSTF 0.47UH	BLZG0365478
L214	INDUCTOR: MOLDED CHIP	LZ-365 SDWL2520C1R8GSTF 1.8UH	BLZG0365189
L215	INDUCTOR: MOLDED CHIP	LZ-365 SDWL2520C1ROGSTF 1UH	BLZG0365109
L216	COIL	LC-072	BLCY0072001
L217	COIL	LB-1268	BLBG1268001
L218	COIL	LB-1268	BLBG1268001
L219	COIL	LB-1268	BLBG1268001
L220	COIL	LD-332 FDL-332	BLDH0332001
L221	COIL	LD-332 FDL-332	BLDH0332001
L222	LZ: INDUCTOR: MOLDED CHIP	LZ-381 UPZ1608E221-2ROTF	BLZG0381001
L223	LZ: INDUCTOR: MOLDED CHIP	LZ-381 UPZ1608E221-2ROTF	BLZG0381001
L224	INDUCTOR: MOLDED CHIP	LZ-365 SDWL2520CR22GSTF 220NH	BLZG0365228
L301	INDUCTOR: MOLDED CHIP	LZ-365 SDWL2520CR33GSTF 0.33UH	BLZG0365338

L302	INDUCTOR:MOLDED CHIP	LZ-365 SDWL2520CR56GSTF 0.56UH	BLZG0365568
L303	INDUCTOR:MOLDED CHIP	LZ-365 SDWL2520CR47GSTF 0.47UH	BLZG0365478
L304	COIL	LB-1263 KS2644	BLBH1263001
L305	COIL	LB-1263 KS2644	BLBH1263001
L306	COIL	LB-1270 KS2645	BLBH1270001
L307	COIL	LB-1263 KS2644	BLBH1263001
L308	INDUCTOR:MOLDED CHIP	LZ-226 SGM11608GR82K T	BLZG0226828
PG401	PLUG	PG-185 IMSA-9215H-T	BPGG0185001
Q1	TRANSISTOR	DB-1326 MMBTSC2714Y	BDBN1326001
Q2	TRANSISTOR	DB-1326 MMBTSC2714Y	BDBN1326001
Q3	TRANSISTOR	DB-1326 MMBTSC2714Y	BDBN1326001
Q4	TRANSISTOR	DB-1326 MMBTSC2714Y	BDBN1326001
Q5	TRANSISTOR	DB-1259 KTC3875S-GR-RTK/P TAPE	BDBN1259001
Q6	TRANSISTOR	DB-1326 MMBTSC2714Y	BDBN1326001
Q7	TRANSISTOR	DB-1326 MMBTSC2714Y	BDBN1326001
Q8	TRANSISTOR	DB-1326 MMBTSC2714Y	BDBN1326001
Q9	TRANSISTOR	DB-1326 MMBTSC2714Y	BDBN1326001
Q10	TRANSISTOR	DB-1259 KTC3875S-GR-RTK/P TAPE	BDBN1259001
Q11	TRANSISTOR	DB-1259 KTC3875S-GR-RTK/P TAPE	BDBN1259001
Q12	TRANSISTOR	DB-1259 KTC3875S-GR-RTK/P TAPE	BDBN1259001
Q13	TRANSISTOR	DB-1343 L2SD1781KRLT1G	BDBN1343001
Q14	TRANSISTOR	DB-1259 KTC3875S-GR-RTK/P TAPE	BDBN1259001
Q15	TRANSISTOR	DB-1259 KTC3875S-GR-RTK/P TAPE	BDBN1259001
Q16	TRANSISTOR	DB-1259 KTC3875S-GR-RTK/P TAPE	BDBN1259001
Q17	TRANSISTOR	DB-1343 L2SD1781KRLT1G	BDBN1343001
Q18	TRANSISTOR	DB-1326 MMBTSC2714Y	BDBN1326001
Q19	TRANSISTOR	DB-1259 KTC3875S-GR-RTK/P TAPE	BDBN1259001
Q20	TRANSISTOR	DB-1259 KTC3875S-GR-RTK/P TAPE	BDBN1259001
Q21	TRANSISTOR	DB-1326 MMBTSC2714Y	BDBN1326001
Q22	TRANSISTOR	DB-1326 MMBTSC2714Y	BDBN1326001
Q23	TRANSISTOR	DB-1326 MMBTSC2714Y	BDBN1326001
Q24	TRANSISTOR	DB-1326 MMBTSC2714Y	BDBN1326001
Q25	TRANSISTOR	DB-1259 KTC3875S-GR-RTK/P TAPE	BDBN1259001
Q26	TRANSISTOR	DB-1259 KTC3875S-GR-RTK/P TAPE	BDBN1259001
Q27	TRANSISTOR	DB-1259 KTC3875S-GR-RTK/P TAPE	BDBN1259001
Q28	TRANSISTOR	DB-1259 KTC3875S-GR-RTK/P TAPE	BDBN1259001
Q30	TRANSISTOR	DB-1259 KTC3875S-GR-RTK/P TAPE	BDBN1259001
Q32	TRANSISTOR	DB-1259 KTC3875S-GR-RTK/P TAPE	BDBN1259001
Q33	TRANSISTOR	DB-1291 L2SA1365FLT1G	BDBN1291001
Q201	TRANSISTOR	DB-1326 MMBTSC2714Y	BDBN1326001
Q202	TRANSISTOR	DB-1259 KTC3875S-GR-RTK/P TAPE	BDBN1259001
Q203	TRANSISTOR	DB-1296 ST2SD882EU	BDBN1296001
Q204	TRANSISTOR	DB-1343 L2SD1781KRLT1G	BDBN1343001
Q206	TRANSISTOR	DB-1259 KTC3875S-GR-RTK/P TAPE	BDBN1259001
Q207	TRANSISTOR	DB-1174 2SC4226-R24 T1	BDBL4226646
Q208	TRANSISTOR	DB-1326 MMBTSC2714Y	BDBN1326001
Q209	TRANSISTOR	DB-1383 KTB778-0-U/P	BDBN1383001
Q210	TRANSISTOR	DB-1335 ST2SB1132RU	BDBN1335001
Q211	TRANSISTOR	DB-1259 KTC3875S-GR-RTK/P TAPE	BDBN1259001
Q212	TRANSISTOR	DB-1259 KTC3875S-GR-RTK/P TAPE	BDBN1259001
Q213	TRANSISTOR	DB-1259 KTC3875S-GR-RTK/P TAPE	BDBN1259001

Q214	TRANSISTOR	DB-1343 L2SD1781KRLT1G	BDBN1343001
Q215	TRANSISTOR	DB-1259 KTC3875S-GR-RTK/P TAPE	BDBN1259001
Q216	TRANSISTOR	DB-1259 KTC3875S-GR-RTK/P TAPE	BDBN1259001
Q217	TRANSISTOR	DB-1259 KTC3875S-GR-RTK/P TAPE	BDBN1259001
Q218	TRANSISTOR	DB-1296 ST2SD882EU	BDBN1296001
Q219	TRANSISTOR	DB-1291 L2SA1365FLT1G	BDBN1291001
Q220	TRANSISTOR	DB-1291 L2SA1365FLT1G	BDBN1291001
Q221	TRANSISTOR	DB-1291 L2SA1365FLT1G	BDBN1291001
Q222	TRANSISTOR	DB-1381 KTA1658-Y-U/PF	BDBN1381001
Q223	TRANSISTOR	DB-1291 L2SA1365FLT1G	BDBN1291001
Q224	TRANSISTOR	DB-1259 KTC3875S-GR-RTK/P TAPE	BDBN1259001
Q225	TRANSISTOR	DB-1259 KTC3875S-GR-RTK/P TAPE	BDBN1259001
Q226	TRANSISTOR	DB-1259 KTC3875S-GR-RTK/P TAPE	BDBN1259001
Q227	TRANSISTOR	DB-1259 KTC3875S-GR-RTK/P TAPE	BDBN1259001
Q301	TRANSISTOR	DB-1174 2SC4226-R24 T1	BDBL4226646
Q302	TRANSISTOR	DB-1326 MMBTSC2714Y	BDBN1326001
Q303	TRANSISTOR	DB-1259 KTC3875S-GR-RTK/P TAPE	BDBN1259001
Q304	TRANSISTOR	DB-1259 KTC3875S-GR-RTK/P TAPE	BDBN1259001
Q305	TRANSISTOR	DB-1326 MMBTSC2714Y	BDBN1326001
Q306	TRANSISTOR	DB-1326 MMBTSC2714Y	BDBN1326001
Q307	TRANSISTOR	DB-1326 MMBTSC2714Y	BDBN1326001
Q401	TRANSISTOR	DB-1259 KTC3875S-GR-RTK/P TAPE	BDBN1259001
Q402	TRANSISTOR	DB-1259 KTC3875S-GR-RTK/P TAPE	BDBN1259001
Q403	TRANSISTOR	DB-1259 KTC3875S-GR-RTK/P TAPE	BDBN1259001
Q404	TRANSISTOR	DB-1259 KTC3875S-GR-RTK/P TAPE	BDBN1259001
Q405	TRANSISTOR	DB-1259 KTC3875S-GR-RTK/P TAPE	BDBN1259001
Q406	TRANSISTOR	DB-1259 KTC3875S-GR-RTK/P TAPE	BDBN1259001
Q407	TRANSISTOR	DB-1259 KTC3875S-GR-RTK/P TAPE	BDBN1259001
Q408	TRANSISTOR	DB-1259 KTC3875S-GR-RTK/P TAPE	BDBN1259001
Q409	TRANSISTOR	DB-1259 KTC3875S-GR-RTK/P TAPE	BDBN1259001
Q410	TRANSISTOR	DB-1259 KTC3875S-GR-RTK/P TAPE	BDBN1259001
Q411	TRANSISTOR	DB-1291 L2SA1365FLT1G	BDBN1291001
Q412	TRANSISTOR	DB-1291 L2SA1365FLT1G	BDBN1291001
Q413	TRANSISTOR	DB-1291 L2SA1365FLT1G	BDBN1291001
Q415	TRANSISTOR	DB-1291 L2SA1365FLT1G	BDBN1291001
Q417	TRANSISTOR	DB-1291 L2SA1365FLT1G	BDBN1291001
Q418	TRANSISTOR	DB-1291 L2SA1365FLT1G	BDBN1291001
Q419	TRANSISTOR	DB-1291 L2SA1365FLT1G	BDBN1291001
R1	R: CARBON FIXED CHIP (1005)	470 1/16W J 1005 TAPE	BRFA164714G
R2	R: CARBON FIXED CHIP (1005)	470 1/16W J 1005 TAPE	BRFA164714G
R3	R: CARBON FIXED CHIP (1005)	15K 1/16W J 1005 TAPE	BRFA161534G
R4	R: CARBON FIXED CHIP (1005)	4.7K 1/16W J 1005 TAPE	BRFA164724G
R5	R: CARBON FIXED CHIP (1005)	470 1/16W J 1005 TAPE	BRFA164714G
R7	R: CARBON FIXED CHIP (1005)	220 1/16W J 1005 TAPE	BRFA162214G
R8	R: CARBON FIXED CHIP (1005)	470K 1/16W J 1005 TAPE	BRFA164744G
R9	R: CARBON FIXED CHIP (1005)	470 1/16W J 1005 TAPE	BRFA164714G
R10	R: CARBON FIXED CHIP (1005)	4.7 1/16W J 1005 TAPE	BRFA164794G
R13	R: CARBON FIXED CHIP (1005)	4.7 1/16W J 1005 TAPE	BRFA164794G
R14	R: CARBON FIXED CHIP (1005)	470K 1/16W J 1005 TAPE	BRFA164744G
R15	R: CARBON FIXED CHIP (1005)	220 1/16W J 1005 TAPE	BRFA162214G
R16	R: CARBON FIXED CHIP (1005)	220 1/16W J 1005 TAPE	BRFA162214G



R17	R: CARBON FIXED CHIP(1005)	100 1/16W J 1005 TAPE	BRFA161014G
R18	R: CARBON FIXED CHIP(1005)	1K 1/16W J 1005 TAPE	BRFA161024G
R19	R: CARBON FIXED CHIP(1005)	4. 7K 1/16W J 1005 TAPE	BRFA164724G
R20	R: CARBON FIXED CHIP(1005)	2. 2K 1/16W J 1005 TAPE	BRFA162224G
R21	R: CARBON FIXED CHIP(1005)	1K 1/16W J 1005 TAPE	BRFA161024G
R22	R: CARBON FIXED CHIP(1005)	4. 7K 1/16W J 1005 TAPE	BRFA164724G
R23	R: CARBON FIXED CHIP(1005)	33K 1/16W J 1005 TAPE	BRFA163334G
R24	R: CARBON FIXED CHIP(1005)	4. 7K 1/16W J 1005 TAPE	BRFA164724G
R25	R: CARBON FIXED CHIP(1005)	2. 2K 1/16W J 1005 TAPE	BRFA162224G
R26	R: CARBON FIXED CHIP(1005)	220 1/16W J 1005 TAPE	BRFA162214G
R27	R: CARBON FIXED CHIP(1005)	10K 1/16W J 1005 TAPE	BRFA161034G
R28	R: CARBON FIXED CHIP(1005)	10K 1/16W J 1005 TAPE	BRFA161034G
R29	R: CARBON FIXED CHIP(1005)	10K 1/16W J 1005 TAPE	BRFA161034G
R30	R: CARBON FIXED CHIP(1005)	100K 1/16W J 1005 TAPE	BRFA161044G
R31	R: CARBON FIXED CHIP(1005)	330 1/16W J 1005 TAPE	BRFA163314G
R32	R: CARBON FIXED CHIP(1005)	3. 3K 1/16W J 1005 TAPE	BRFA163324G
R33	R: CARBON FIXED CHIP(1005)	220 1/16W J 1005 TAPE	BRFA162214G
R34	R: CARBON FIXED CHIP(1005)	47K 1/16W J 1005 TAPE	BRFA164734G
R35	R: CARBON FIXED CHIP(1005)	680 1/16W J 1005 TAPE	BRFA166814G
R36	R: CARBON FIXED CHIP(1005)	10K 1/16W J 1005 TAPE	BRFA161034G
R37	R: CARBON FIXED CHIP(1005)	100K 1/16W J 1005 TAPE	BRFA161044G
R38	R: CARBON FIXED CHIP(1005)	100K 1/16W J 1005 TAPE	BRFA161044G
R39	R: CARBON FIXED CHIP(1005)	220 1/16W J 1005 TAPE	BRFA162214G
R40	R: CARBON FIXED CHIP(1005)	330 1/16W J 1005 TAPE	BRFA163314G
R41	R: CARBON FIXED CHIP(1005)	68K 1/16W J 1005 TAPE	BRFA166834G
R42	R: CARBON FIXED CHIP(1005)	4. 7K 1/16W J 1005 TAPE	BRFA164724G
R43	R: CARBON FIXED CHIP(1005)	220 1/16W J 1005 TAPE	BRFA162214G
R44	R: CARBON FIXED CHIP(1005)	4. 7K 1/16W J 1005 TAPE	BRFA164724G
R45	R: CARBON FIXED CHIP(1005)	68K 1/16W J 1005 TAPE	BRFA166834G
R46	R: CARBON FIXED CHIP(1005)	15K 1/16W J 1005 TAPE	BRFA161534G
R47	R: CARBON FIXED CHIP(1005)	10 1/16W J 1005 TAPE	BRFA161004G
R48	R: CARBON FIXED CHIP(1005)	1K 1/16W J 1005 TAPE	BRFA161024G
R49	R: CARBON FIXED CHIP(1005)	470 1/16W J 1005 TAPE	BRFA164714G
R50	R: CARBON FIXED CHIP(1005)	15 1/16W J 1005 TAPE	BRFA161504G
R51	R: CARBON FIXED CHIP(1005)	10 1/16W J 1005 TAPE	BRFA161004G
R52	R: CARBON FIXED CHIP(1005)	33K 1/16W J 1005 TAPE	BRFA163334G
R53	R: CARBON FIXED CHIP(1005)	47K 1/16W J 1005 TAPE	BRFA164734G
R54	R: CARBON FIXED CHIP(1005)	33K 1/16W J 1005 TAPE	BRFA163334G
R55	R: CARBON FIXED CHIP(1005)	220K 1/16W J 1005 TAPE	BRFA162244G
R56	R: CARBON FIXED CHIP(1005)	100K 1/16W J 1005 TAPE	BRFA161044G
R57	R: CARBON FIXED CHIP(1005)	10K 1/16W J 1005 TAPE	BRFA161034G
R58	R: CARBON FIXED CHIP(1005)	470K 1/16W J 1005 TAPE	BRFA164744G
R59	R: CARBON FIXED CHIP(1005)	680K 1/16W J 1005 TAPE	BRFA166844G
R60	R: CARBON FIXED CHIP(1005)	680K 1/16W J 1005 TAPE	BRFA166844G
R61	R: CARBON FIXED CHIP(1005)	560K 1/16W J 1005 TAPE	BRFA165644G
R62	R: CARBON FIXED CHIP(1005)	10K 1/16W J 1005 TAPE	BRFA161034G
R63	R: CARBON FIXED CHIP(1005)	10K 1/16W J 1005 TAPE	BRFA161034G
R64	R: CARBON FIXED CHIP(1005)	2. 2K 1/16W J 1005 TAPE	BRFA162224G
R65	R: CARBON FIXED CHIP(1005)	4. 7K 1/16W J 1005 TAPE	BRFA164724G
R66	R: CARBON FIXED CHIP(1005)	3. 9K 1/16W J 1005 TAPE	BRFA163924G
R67	R: CARBON FIXED CHIP(1005)	10K 1/16W J 1005 TAPE	BRFA161034G

R68	R: CARBON FIXED CHIP(1005)	33K 1/16W J 1005 TAPE	BRFA163334G
R69	R: CARBON FIXED CHIP(1005)	33K 1/16W J 1005 TAPE	BRFA163334G
R70	R: CARBON FIXED CHIP(1005)	47K 1/16W J 1005 TAPE	BRFA164734G
R71	R: CARBON FIXED CHIP(1005)	10K 1/16W J 1005 TAPE	BRFA161034G
R72	R: CARBON FIXED CHIP(1005)	3.3K 1/16W J 1005 TAPE	BRFA163324G
R73	R: CARBON FIXED CHIP(1005)	470K 1/16W J 1005 TAPE	BRFA164744G
R74	R: CARBON FIXED CHIP(1005)	4.7K 1/16W J 1005 TAPE	BRFA164724G
R75	R: CARBON FIXED CHIP(1005)	47K 1/16W J 1005 TAPE	BRFA164734G
R76	R: CARBON FIXED CHIP(1005)	47K 1/16W J 1005 TAPE	BRFA164734G
R77	R: CARBON FIXED CHIP(1005)	2.2K 1/16W J 1005 TAPE	BRFA162224G
R78	R: CARBON FIXED CHIP(1005)	100K 1/16W J 1005 TAPE	BRFA161044G
R79	R: CARBON FIXED CHIP(1005)	3.3K 1/16W J 1005 TAPE	BRFA163324G
R80	R: CARBON FIXED CHIP(1005)	3.3K 1/16W J 1005 TAPE	BRFA163324G
R81	R: CARBON FIXED CHIP(1005)	10K 1/16W J 1005 TAPE	BRFA161034G
R82	R: CARBON FIXED CHIP(1005)	4.7K 1/16W J 1005 TAPE	BRFA164724G
R83	R: CARBON FIXED CHIP(1005)	4.7K 1/16W J 1005 TAPE	BRFA164724G
R84	R: CARBON FIXED CHIP(1005)	3.3K 1/16W J 1005 TAPE	BRFA163324G
R85	R: CARBON FIXED CHIP(1005)	47K 1/16W J 1005 TAPE	BRFA164734G
R86	R: CARBON FIXED CHIP(1005)	470K 1/16W J 1005 TAPE	BRFA164744G
R87	R: CARBON FIXED CHIP(1005)	15K 1/16W J 1005 TAPE	BRFA161534G
R88	R: CARBON FIXED CHIP(1005)	33K 1/16W J 1005 TAPE	BRFA163334G
R89	R: CARBON FIXED CHIP(1005)	68K 1/16W J 1005 TAPE	BRFA166834G
R90	R: CARBON FIXED CHIP(1005)	2.2 1/16W J 1005 TAPE	BRFA162294G
R91	R: CARBON FIXED CHIP(1005)	33K 1/16W J 1005 TAPE	BRFA163334G
R92	R: CARBON FIXED CHIP(1005)	4.7M 1/16W J 1005 TAPE	BRFA164754G
R93	R: CARBON FIXED CHIP(1005)	1K 1/16W J 1005 TAPE	BRFA161024G
R94	R: CARBON FIXED CHIP(1005)	6.8K 1/16W J 1005 TAPE	BRFA166824G
R95	R: CARBON FIXED CHIP(1005)	33 1/16W J 1005 TAPE	BRFA163304G
R96	R: CARBON FIXED CHIP(1005)	680 1/16W J 1005 TAPE	BRFA166814G
R97	R: CARBON FIXED CHIP(1005)	68K 1/16W J 1005 TAPE	BRFA166834G
R98	R: CARBON FIXED CHIP(1005)	220 1/16W J 1005 TAPE	BRFA162214G
R99	R: CARBON FIXED CHIP(1005)	2.2K 1/16W J 1005 TAPE	BRFA162224G
R100	R: CARBON FIXED CHIP(1005)	33K 1/16W J 1005 TAPE	BRFA163334G
R101	R: CARBON FIXED CHIP(1005)	2.2K 1/16W J 1005 TAPE	BRFA162224G
R102	R: CARBON FIXED CHIP(1005)	10K 1/16W J 1005 TAPE	BRFA161034G
R103	R: CARBON FIXED CHIP(1005)	680 1/16W J 1005 TAPE	BRFA166814G
R104	R: CARBON FIXED CHIP(1005)	470 1/16W J 1005 TAPE	BRFA164714G
R105	R: CARBON FIXED CHIP(1005)	220 1/16W J 1005 TAPE	BRFA162214G
R106	R: CARBON FIXED CHIP(1005)	10K 1/16W J 1005 TAPE	BRFA161034G
R107	R: CARBON FIXED CHIP(1005)	10K 1/16W J 1005 TAPE	BRFA161034G
R108	R: CARBON FIXED CHIP(1005)	39K 1/16W J 1005 TAPE	BRFA163934G
R109	R: CARBON FIXED CHIP(1005)	47K 1/16W J 1005 TAPE	BRFA164734G
R110	R: CARBON FIXED CHIP(1005)	22K 1/16W J 1005 TAPE	BRFA162234G
R111	R: CARBON FIXED CHIP(1005)	47K 1/16W J 1005 TAPE	BRFA164734G
R112	R: CARBON FIXED CHIP(1005)	330 1/16W J 1005 TAPE	BRFA163314G
R113	R: CARBON FIXED CHIP(1005)	47K 1/16W J 1005 TAPE	BRFA164734G
R114	R: CARBON FIXED CHIP(1005)	15 1/16W J 1005 TAPE	BRFA161504G
R116	R: CARBON FIXED CHIP(1005)	470K 1/16W J 1005 TAPE	BRFA164744G
R117	R: CARBON FIXED CHIP(1005)	2.2K 1/16W J 1005 TAPE	BRFA162224G
R118	R: CARBON FIXED CHIP(1005)	3.3K 1/16W J 1005 TAPE	BRFA163324G
R119	R: CARBON FIXED CHIP(1005)	4.7K 1/16W J 1005 TAPE	BRFA164724G

R120	R: CARBON FIXED CHIP(1005)	1.5K 1/16W J 1005 TAPE	BRFA161524G
R121	R: CARBON FIXED CHIP(1005)	22 1/16W J 1005 TAPE	BRFA162204G
R122	R: CARBON FIXED CHIP(1005)	2.2K 1/16W J 1005 TAPE	BRFA162224G
R123	R: CARBON FIXED CHIP(1005)	220 1/16W J 1005 TAPE	BRFA162214G
R124	R: CARBON FIXED CHIP(1005)	1K 1/16W J 1005 TAPE	BRFA161024G
R125	R: CARBON FIXED CHIP(1005)	1M 1/16W J 1005 TAPE	BRFA161054G
R126	R: CARBON FIXED CHIP(1005)	10K 1/16W J 1005 TAPE	BRFA161034G
R127	R: CARBON FIXED CHIP(1005)	100K 1/16W J 1005 TAPE	BRFA161044G
R128	R: CARBON FIXED CHIP(1005)	1.5K 1/16W J 1005 TAPE	BRFA161524G
R129	R: CARBON FIXED CHIP(1005)	33K 1/16W J 1005 TAPE	BRFA163334G
R130	R: CARBON FIXED CHIP(1005)	2.2K 1/16W J 1005 TAPE	BRFA162224G
R131	R: CARBON FIXED CHIP(1005)	22 1/16W J 1005 TAPE	BRFA162204G
R132	R: CARBON FIXED CHIP(1005)	1K 1/16W J 1005 TAPE	BRFA161024G
R134	R: CARBON FIXED CHIP(1005)	10K 1/16W J 1005 TAPE	BRFA161034G
R135	R: CARBON FIXED CHIP(1005)	10K 1/16W J 1005 TAPE	BRFA161034G
R136	R: CARBON FIXED CHIP(1005)	100K 1/16W J 1005 TAPE	BRFA161044G
R137	R: CARBON FIXED CHIP(1005)	100K 1/16W J 1005 TAPE	BRFA161044G
R138	R: CARBON FIXED CHIP(1005)	1.5M 1/16W J 1005 TAPE	BRFA161554G
R139	R: CARBON FIXED CHIP(1005)	33K 1/16W J 1005 TAPE	BRFA163334G
R140	R: CARBON FIXED CHIP(1005)	47K 1/16W J 1005 TAPE	BRFA164734G
R142	R: CARBON FIXED CHIP(1005)	680K 1/16W J 1005 TAPE	BRFA166844G
R143	R: CARBON FIXED CHIP(1005)	10K 1/16W J 1005 TAPE	BRFA161034G
R144	R: CARBON FIXED CHIP(1005)	10K 1/16W J 1005 TAPE	BRFA161034G
R145	R: CARBON FIXED CHIP(1005)	3.3K 1/16W J 1005 TAPE	BRFA163324G
R147	R: CARBON FIXED CHIP(1005)	1K 1/16W J 1005 TAPE	BRFA161024G
R148	R: CARBON FIXED CHIP(1005)	10K 1/16W J 1005 TAPE	BRFA161034G
R149	R: CARBON FIXED CHIP(1005)	2.2K 1/16W J 1005 TAPE	BRFA162224G
R150	R: CARBON FIXED CHIP(1005)	10K 1/16W J 1005 TAPE	BRFA161034G
R151	R: CARBON FIXED CHIP(1005)	470K 1/16W J 1005 TAPE	BRFA164744G
R152	R: CARBON FIXED CHIP(1005)	330K 1/16W J 1005 TAPE	BRFA163344G
R154	R: CARBON FIXED CHIP(1005)	1K 1/16W J 1005 TAPE	BRFA161024G
R155	R: CARBON FIXED CHIP(1005)	10K 1/16W J 1005 TAPE	BRFA161034G
R156	R: CARBON FIXED CHIP(1005)	22 1/16W J 1005 TAPE	BRFA162204G
R157	R: CARBON FIXED CHIP(1005)	10K 1/16W J 1005 TAPE	BRFA161034G
R158	R: CARBON FIXED CHIP(1005)	10K 1/16W J 1005 TAPE	BRFA161034G
R160	R: CARBON FIXED CHIP(1005)	1.5K 1/16W J 1005 TAPE	BRFA161524G
R161	R: CARBON FIXED CHIP(1005)	1.5K 1/16W J 1005 TAPE	BRFA161524G
R162	R: CARBON FIXED CHIP(1005)	10K 1/16W J 1005 TAPE	BRFA161034G
R164	R: CARBON FIXED CHIP(1005)	680 1/16W J 1005 TAPE	BRFA166814G
R165	R: CARBON FIXED CHIP(1005)	4.7K 1/16W J 1005 TAPE	BRFA164724G
R166	R: CARBON FIXED CHIP(1005)	10K 1/16W J 1005 TAPE	BRFA161034G
R167	R: CARBON FIXED CHIP(1005)	120K 1/16W J 1005 TAPE	BRFA161244G
R168	R: CARBON FIXED CHIP(1005)	47 1/16W J 1005 TAPE	BRFA164704G
R169	R: CARBON FIXED CHIP(1005)	47K 1/16W J 1005 TAPE	BRFA164734G
R170	R: CARBON FIXED CHIP(1005)	680 1/16W J 1005 TAPE	BRFA166814G
R171	R: CARBON FIXED CHIP(1005)	680 1/16W J 1005 TAPE	BRFA166814G
R174	R: CARBON FIXED CHIP(1005)	15K 1/16W J 1005 TAPE	BRFA161534G
R196	R: CARBON FIXED CHIP(1608)	22K 1/16W J TAPE	BRFC162234G
R197	R: CARBON FIXED CHIP(1005)	150 1/16W J 1005 TAPE	BRFA161514G
R198	R: CARBON FIXED CHIP(1005)	330 1/16W J 1005 TAPE	BRFA163314G
R199	R: CARBON FIXED CHIP(1005)	2.2K 1/16W J 1005 TAPE	BRFA162224G

R201	R: CARBON FIXED CHIP(1005)	120 1/16W J 1005 TAPE	BRFA161214G
R202	R: CARBON FIXED CHIP(1005)	120 1/16W J 1005 TAPE	BRFA161214G
R203	R: CARBON FIXED CHIP(1005)	47K 1/16W J 1005 TAPE	BRFA164734G
R204	R: CARBON FIXED CHIP(1005)	47K 1/16W J 1005 TAPE	BRFA164734G
R205	R: CARBON FIXED CHIP(1005)	68K 1/16W J 1005 TAPE	BRFA166834G
R206	R: CARBON FIXED CHIP(1005)	68K 1/16W J 1005 TAPE	BRFA166834G
R207	R: CARBON FIXED CHIP(1005)	68K 1/16W J 1005 TAPE	BRFA166834G
R208	R: CARBON FIXED CHIP(1005)	68K 1/16W J 1005 TAPE	BRFA166834G
R209	R: CARBON FIXED CHIP(1005)	220 1/16W J 1005 TAPE	BRFA162214G
R210	R: CARBON FIXED CHIP(1005)	220 1/16W J 1005 TAPE	BRFA162214G
R211	R: CARBON FIXED CHIP(1005)	4. 7K 1/16W J 1005 TAPE	BRFA164724G
R212	R: CARBON FIXED CHIP(1005)	470 1/16W J 1005 TAPE	BRFA164714G
R213	R: CARBON FIXED CHIP(1005)	4. 7K 1/16W J 1005 TAPE	BRFA164724G
R214	R: CARBON FIXED CHIP(1005)	4. 7K 1/16W J 1005 TAPE	BRFA164724G
R215	R: CARBON FIXED CHIP(1005)	10K 1/16W J 1005 TAPE	BRFA161034G
R216	R: CARBON FIXED CHIP(1005)	1K 1/16W J 1005 TAPE	BRFA161024G
R217	R: CARBON FIXED CHIP(1005)	680 1/16W J 1005 TAPE	BRFA166814G
R218	R: CARBON FIXED CHIP(1005)	33K 1/16W J 1005 TAPE	BRFA163334G
R219	R: CARBON FIXED CHIP(1005)	15K 1/16W J 1005 TAPE	BRFA161534G
R220	R: CARBON FIXED CHIP(1005)	560 1/16W J 1005 TAPE	BRFA165614G
R221	R: CARBON FIXED CHIP(6432)	22 1W J TAPE	BRFC102204G
R222	R: CARBON FIXED CHIP(1005)	1. 5K 1/16W J 1005 TAPE	BRFA161524G
R223	R: CARBON FIXED CHIP(1005)	680 1/16W J 1005 TAPE	BRFA166814G
R224	R: CARBON FIXED CHIP(1005)	22K 1/16W J 1005 TAPE	BRFA162234G
R225	R: CARBON FIXED CHIP(1005)	3. 3K 1/16W J 1005 TAPE	BRFA163324G
R226	R: CARBON FIXED CHIP(1005)	2. 2K 1/16W J 1005 TAPE	BRFA162224G
R227	R: CARBON FIXED CHIP(1005)	220 1/16W J 1005 TAPE	BRFA162214G
R228	R: CARBON FIXED CHIP(2125)	10 1/10W J TAPE	BRFC011004G
R229	R: CARBON FIXED CHIP(1005)	2. 2K 1/16W F TAPE	BRFA162223G
R230	R: CARBON FIXED CHIP(1005)	47K 1/16W J 1005 TAPE	BRFA164734G
R231	R: CARBON FIXED CHIP(1005)	47K 1/16W J 1005 TAPE	BRFA164734G
R232	R: CARBON FIXED CHIP(1005)	47K 1/16W J 1005 TAPE	BRFA164734G
R233	R: CARBON FIXED CHIP(1005)	470 1/16W J 1005 TAPE	BRFA164714G
R234	R: CARBON FIXED CHIP(1005)	47K 1/16W J 1005 TAPE	BRFA164734G
R235	R: CARBON FIXED CHIP(1005)	270 1/16W J 1005 TAPE	BRFA162714G
R236	R: CARBON FIXED CHIP(1005)	2. 2K 1/16W J 1005 TAPE	BRFA162224G
R237	R: CARBON FIXED CHIP(1005)	220 1/16W J 1005 TAPE	BRFA162214G
R238	R: CARBON FIXED CHIP(1005)	47K 1/16W J 1005 TAPE	BRFA164734G
R239	R: CARBON FIXED CHIP(1005)	10 1/16W J 1005 TAPE	BRFA161004G
R240	R: CARBON FIXED CHIP(1005)	4. 7K 1/16W J 1005 TAPE	BRFA164724G
R241	R: CARBON FIXED CHIP(1005)	2. 2K 1/16W J 1005 TAPE	BRFA162224G
R242	R: CARBON FIXED CHIP(1005)	330 1/16W J 1005 TAPE	BRFA163314G
R243	R: CARBON FIXED CHIP(1005)	10K 1/16W J 1005 TAPE	BRFA161034G
R244	R: CARBON FIXED CHIP(1005)	1M 1/16W J 1005 TAPE	BRFA161054G
R245	R: CARBON FIXED CHIP(1005)	4. 7K 1/16W J 1005 TAPE	BRFA164724G
R246	R: CARBON FIXED CHIP(1005)	100K 1/16W F TAPE	BRFA161043G
R247	R: CARBON FIXED CHIP(1005)	220K 1/16W J 1005 TAPE	BRFA162244G
R248	R: CARBON FIXED CHIP(1005)	220K 1/16W J 1005 TAPE	BRFA162244G
R249	R: CARBON FIXED CHIP(1005)	220K 1/16W J 1005 TAPE	BRFA162244G
R250	R: CARBON FIXED CHIP(1005)	100K 1/16W J 1005 TAPE	BRFA161044G
R251	R: CARBON FIXED CHIP(1005)	10K 1/16W J 1005 TAPE	BRFA161034G

R252	R: CARBON FIXED CHIP(1005)	0 1/16W J 1005 TAPE	BRFA160004G
R253	R: CARBON FIXED CHIP(1005)	6. 8K 1/16W J 1005 TAPE	BRFA166824G
R254	R: CARBON FIXED CHIP(1005)	220K 1/16W J 1005 TAPE	BRFA162244G
R255	R: CARBON FIXED CHIP(1005)	10K 1/16W J 1005 TAPE	BRFA161034G
R256	R: CARBON FIXED CHIP(1005)	1K 1/16W J 1005 TAPE	BRFA161024G
R257	R: CARBON FIXED CHIP(1005)	1M 1/16W J 1005 TAPE	BRFA161054G
R258	R: CARBON FIXED CHIP(1005)	10K 1/16W J 1005 TAPE	BRFA161034G
R259	R: CARBON FIXED CHIP(1005)	1K 1/16W J 1005 TAPE	BRFA161024G
R260	R: CARBON FIXED CHIP(1005)	3. 3K 1/16W J 1005 TAPE	BRFA163324G
R261	R: CARBON FIXED CHIP(1005)	10K 1/16W J 1005 TAPE	BRFA161034G
R262	R: CARBON FIXED CHIP(1005)	470 1/16W J 1005 TAPE	BRFA164714G
R263	R: CARBON FIXED CHIP(1005)	1. 5K 1/16W J 1005 TAPE	BRFA161524G
R264	R: CARBON FIXED CHIP(1005)	1. 2K 1/16W J 1005 TAPE	BRFA161224G
R265	R: CARBON FIXED CHIP(1005)	1K 1/16W J 1005 TAPE	BRFA161024G
R266	R: CARBON FIXED CHIP(1005)	2. 2K 1/16W J 1005 TAPE	BRFA162224G
R267	R: CARBON FIXED CHIP(1005)	100K 1/16W J 1005 TAPE	BRFA161044G
R268	R: CARBON FIXED CHIP(1005)	1K 1/16W J 1005 TAPE	BRFA161024G
R269	R: CARBON FIXED CHIP(1005)	47K 1/16W J 1005 TAPE	BRFA164734G
R270	R: CARBON FIXED CHIP(1005)	100K 1/16W J 1005 TAPE	BRFA161044G
R271	R: CARBON FIXED CHIP(1005)	2. 2K 1/16W J 1005 TAPE	BRFA162224G
R272	R: CARBON FIXED CHIP(1005)	10K 1/16W J 1005 TAPE	BRFA161034G
R273	R: CARBON FIXED CHIP(1005)	4. 7K 1/16W J 1005 TAPE	BRFA164724G
R274	R: CARBON FIXED CHIP(1005)	47K 1/16W J 1005 TAPE	BRFA164734G
R275	R: CARBON FIXED CHIP(1005)	100K 1/16W J 1005 TAPE	BRFA161044G
R276	R: CARBON FIXED CHIP(1005)	100K 1/16W J 1005 TAPE	BRFA161044G
R277	R: CARBON FIXED CHIP(1005)	10K 1/16W J 1005 TAPE	BRFA161034G
R278	R: CARBON FIXED CHIP(1005)	3. 3K 1/16W J 1005 TAPE	BRFA163324G
R279	R: CARBON FIXED CHIP(1005)	10K 1/16W J 1005 TAPE	BRFA161034G
R280	R: CARBON FIXED CHIP(1005)	3. 3K 1/16W J 1005 TAPE	BRFA163324G
R281	R: CARBON FIXED CHIP(1005)	47K 1/16W J 1005 TAPE	BRFA164734G
R282	R: CARBON FIXED CHIP(1005)	47K 1/16W J 1005 TAPE	BRFA164734G
R283	R: CARBON FIXED CHIP(1005)	330 1/16W J 1005 TAPE	BRFA163314G
R284	R: CARBON FIXED CHIP(1005)	4. 7K 1/16W J 1005 TAPE	BRFA164724G
R285	R: CARBON FIXED CHIP(1005)	1. 5K 1/16W J 1005 TAPE	BRFA161524G
R286	R: CARBON FIXED CHIP(1005)	220 1/16W J 1005 TAPE	BRFA162214G
R287	R: CARBON FIXED CHIP(1005)	47K 1/16W J 1005 TAPE	BRFA164734G
R288	R: CARBON FIXED CHIP(1005)	10K 1/16W J 1005 TAPE	BRFA161034G
R289	R: CARBON FIXED CHIP(1005)	1. 5K 1/16W J 1005 TAPE	BRFA161524G
R290	R: CARBON FIXED CHIP(1005)	4. 7K 1/16W J 1005 TAPE	BRFA164724G
R291	R: CARBON FIXED CHIP(1005)	22K 1/16W J 1005 TAPE	BRFA162234G
R292	R: CARBON FIXED CHIP(1005)	22K 1/16W J 1005 TAPE	BRFA162234G
R293	R: CARBON FIXED CHIP(1005)	1K 1/16W J 1005 TAPE	BRFA161024G
R295	R: CARBON FIXED CHIP(1005)	220 1/16W J 1005 TAPE	BRFA162214G
R296	R: CARBON FIXED CHIP(1005)	10K 1/16W J 1005 TAPE	BRFA161034G
R297	R: CARBON FIXED CHIP(1005)	10K 1/16W J 1005 TAPE	BRFA161034G
R298	R: CARBON FIXED CHIP(1005)	10K 1/16W J 1005 TAPE	BRFA161034G
R301	R: CARBON FIXED CHIP(1005)	100 1/16W J 1005 TAPE	BRFA161014G
R302	R: CARBON FIXED CHIP(1005)	1K 1/16W J 1005 TAPE	BRFA161024G
R303	R: CARBON FIXED CHIP(1005)	270 1/16W J 1005 TAPE	BRFA162714G
R304	R: CARBON FIXED CHIP(1005)	56K 1/16W J 1005 TAPE	BRFA165634G
R305	R: CARBON FIXED CHIP(1005)	1. 5K 1/16W J 1005 TAPE	BRFA161524G

R306	R: CARBON FIXED CHIP(1005)	47K 1/16W J 1005 TAPE	BRFA164734G
R307	R: CARBON FIXED CHIP(1005)	33K 1/16W J 1005 TAPE	BRFA163334G
R308	R: CARBON FIXED CHIP(1005)	3.3K 1/16W J 1005 TAPE	BRFA163324G
R309	R: CARBON FIXED CHIP(1005)	22K 1/16W J 1005 TAPE	BRFA162234G
R310	R: CARBON FIXED CHIP(1005)	1K 1/16W J 1005 TAPE	BRFA161024G
R311	R: CARBON FIXED CHIP(1005)	4.7K 1/16W J 1005 TAPE	BRFA164724G
R312	R: CARBON FIXED CHIP(1005)	1M 1/16W J 1005 TAPE	BRFA161054G
R313	R: CARBON FIXED CHIP(1005)	33K 1/16W J 1005 TAPE	BRFA163334G
R314	R: CARBON FIXED CHIP(1005)	100 1/16W J 1005 TAPE	BRFA161014G
R315	R: CARBON FIXED CHIP(1005)	3.9K 1/16W J 1005 TAPE	BRFA163924G
R316	R: CARBON FIXED CHIP(1005)	1K 1/16W J 1005 TAPE	BRFA161024G
R317	R: CARBON FIXED CHIP(1005)	3.3K 1/16W J 1005 TAPE	BRFA163324G
R318	R: CARBON FIXED CHIP(1005)	3.3K 1/16W J 1005 TAPE	BRFA163324G
R319	R: CARBON FIXED CHIP(1005)	6.8K 1/16W J 1005 TAPE	BRFA166824G
R320	R: CARBON FIXED CHIP(1005)	560 1/16W J 1005 TAPE	BRFA165614G
R321	R: CARBON FIXED CHIP(1005)	10K 1/16W J 1005 TAPE	BRFA161034G
R322	R: CARBON FIXED CHIP(1005)	100K 1/16W J 1005 TAPE	BRFA161044G
R323	R: CARBON FIXED CHIP(1005)	1K 1/16W J 1005 TAPE	BRFA161024G
R324	R: CARBON FIXED CHIP(1005)	56K 1/16W J 1005 TAPE	BRFA165634G
R325	R: CARBON FIXED CHIP(1005)	10K 1/16W J 1005 TAPE	BRFA161034G
R326	R: CARBON FIXED CHIP(1005)	1K 1/16W J 1005 TAPE	BRFA161024G
R327	R: CARBON FIXED CHIP(1005)	10K 1/16W J 1005 TAPE	BRFA161034G
R328	R: CARBON FIXED CHIP(1005)	4.7K 1/16W J 1005 TAPE	BRFA164724G
R329	R: CARBON FIXED CHIP(1005)	220 1/16W J 1005 TAPE	BRFA162214G
R330	R: CARBON FIXED CHIP(1005)	220 1/16W J 1005 TAPE	BRFA162214G
R331	R: CARBON FIXED CHIP(1005)	100 1/16W J 1005 TAPE	BRFA161014G
R332	R: CARBON FIXED CHIP(1005)	10K 1/16W J 1005 TAPE	BRFA161034G
R333	R: CARBON FIXED CHIP(1005)	220 1/16W J 1005 TAPE	BRFA162214G
R334	R: CARBON FIXED CHIP(1005)	220 1/16W J 1005 TAPE	BRFA162214G
R335	R: CARBON FIXED CHIP(1005)	2.2K 1/16W J 1005 TAPE	BRFA162224G
R336	R: CARBON FIXED CHIP(1005)	220 1/16W J 1005 TAPE	BRFA162214G
R337	R: CARBON FIXED CHIP(1005)	150K 1/16W J 1005 TAPE	BRFA161544G
R338	R: CARBON FIXED CHIP(1005)	2.2K 1/16W J 1005 TAPE	BRFA162224G
R339	R: CARBON FIXED CHIP(1005)	4.7K 1/16W J 1005 TAPE	BRFA164724G
R340	R: CARBON FIXED CHIP(1005)	4.7K 1/16W J 1005 TAPE	BRFA164724G
R341	R: CARBON FIXED CHIP(1005)	2.2K 1/16W J 1005 TAPE	BRFA162224G
R342	R: CARBON FIXED CHIP(1005)	47K 1/16W J 1005 TAPE	BRFA164734G
R343	R: CARBON FIXED CHIP(1005)	1K 1/16W J 1005 TAPE	BRFA161024G
R344	R: CARBON FIXED CHIP(1005)	4.7K 1/16W J 1005 TAPE	BRFA164724G
R345	R: CARBON FIXED CHIP(1005)	100K 1/16W J 1005 TAPE	BRFA161044G
R346	R: CARBON FIXED CHIP(1005)	10K 1/16W J 1005 TAPE	BRFA161034G
R347	R: CARBON FIXED CHIP(1005)	10K 1/16W J 1005 TAPE	BRFA161034G
R348	R: CARBON FIXED CHIP(1005)	10K 1/16W J 1005 TAPE	BRFA161034G
R349	R: CARBON FIXED CHIP(1005)	10K 1/16W J 1005 TAPE	BRFA161034G
R401	R: CARBON FIXED CHIP(1005)	330 1/16W J 1005 TAPE	BRFA163314G
R402	R: CARBON FIXED CHIP(1005)	560 1/16W J 1005 TAPE	BRFA165614G
R403	R: CARBON FIXED CHIP(1005)	1.5K 1/16W J 1005 TAPE	BRFA161524G
R404	R: CARBON FIXED CHIP(1005)	4.7K 1/16W J 1005 TAPE	BRFA164724G
R405	R: CARBON FIXED CHIP(1005)	150 1/16W J 1005 TAPE	BRFA161514G
R406	R: CARBON FIXED CHIP(1005)	100 1/16W J 1005 TAPE	BRFA161014G
R407	R: CARBON FIXED CHIP(1005)	47K 1/16W J 1005 TAPE	BRFA164734G

R408	R: CARBON FIXED CHIP(1005)	47K 1/16W J 1005 TAPE	BRFA164734G
R409	R: CARBON FIXED CHIP(1005)	47K 1/16W J 1005 TAPE	BRFA164734G
R410	R: CARBON FIXED CHIP(1005)	47K 1/16W J 1005 TAPE	BRFA164734G
R411	R: CARBON FIXED CHIP(1005)	0 1/16W J 1005 TAPE	BRFA160004G
R412	R: CARBON FIXED CHIP(1005)	3.3K 1/16W J 1005 TAPE	BRFA163324G
R413	R: CARBON FIXED CHIP(1005)	3.3K 1/16W J 1005 TAPE	BRFA163324G
R414	R: CARBON FIXED CHIP(1005)	3.3K 1/16W J 1005 TAPE	BRFA163324G
R415	R: CARBON FIXED CHIP(1005)	47K 1/16W J 1005 TAPE	BRFA164734G
R416	R: CARBON FIXED CHIP(1005)	47K 1/16W J 1005 TAPE	BRFA164734G
R417	R: CARBON FIXED CHIP(1005)	47K 1/16W J 1005 TAPE	BRFA164734G
R418	R: CARBON FIXED CHIP(1005)	47K 1/16W J 1005 TAPE	BRFA164734G
R419	R: CARBON FIXED CHIP(1005)	2.7K 1/16W J 1005 TAPE	BRFA162724G
R420	R: CARBON FIXED CHIP(1005)	3.3K 1/16W J 1005 TAPE	BRFA163324G
R421	R: CARBON FIXED CHIP(1005)	4.7K 1/16W J 1005 TAPE	BRFA164724G
R422	R: CARBON FIXED CHIP(1005)	3.3K 1/16W J 1005 TAPE	BRFA163324G
R423	R: CARBON FIXED CHIP(1005)	3.3K 1/16W J 1005 TAPE	BRFA163324G
R424	R: CARBON FIXED CHIP(1005)	3.3K 1/16W J 1005 TAPE	BRFA163324G
R425	R: CARBON FIXED CHIP(1005)	2.2K 1/16W J 1005 TAPE	BRFA162224G
R426	R: CARBON FIXED CHIP(1005)	10K 1/16W J 1005 TAPE	BRFA161034G
R427	R: CARBON FIXED CHIP(1005)	10K 1/16W J 1005 TAPE	BRFA161034G
R428	R: CARBON FIXED CHIP(1005)	10K 1/16W J 1005 TAPE	BRFA161034G
R429	R: CARBON FIXED CHIP(1005)	10K 1/16W J 1005 TAPE	BRFA161034G
R430	R: CARBON FIXED CHIP(1005)	47K 1/16W J 1005 TAPE	BRFA164734G
R431	R: CARBON FIXED CHIP(1005)	10K 1/16W J 1005 TAPE	BRFA161034G
R432	R: CARBON FIXED CHIP(1005)	10K 1/16W J 1005 TAPE	BRFA161034G
R433	R: CARBON FIXED CHIP(1005)	10K 1/16W J 1005 TAPE	BRFA161034G
R434	R: CARBON AXIAL LEAD (26)	22K 1/6W J TAPE	BRPA612234G
R435	R: CARBON AXIAL LEAD (26)	10K 1/6W J TAPE	BRPA611034G
R436	R: CARBON AXIAL LEAD (26)	4.7K 1/6W J TAPE	BRPA614724G
R437	R: CARBON FIXED CHIP(1005)	10K 1/16W J 1005 TAPE	BRFA161034G
R438	R: CARBON AXIAL LEAD (26)	22K 1/6W J TAPE	BRPA612234G
R439	R: CARBON FIXED CHIP(1005)	4.7K 1/16W J 1005 TAPE	BRFA164724G
R440	R: CARBON FIXED CHIP(1005)	10K 1/16W J 1005 TAPE	BRFA161034G
R441	R: CARBON FIXED CHIP(1005)	6.8K 1/16W J 1005 TAPE	BRFA166824G
R442	R: CARBON FIXED CHIP(1005)	3.3K 1/16W J 1005 TAPE	BRFA163324G
R443	R: CARBON FIXED CHIP(1005)	33K 1/16W J 1005 TAPE	BRFA163334G
R444	R: CARBON FIXED CHIP(1005)	15K 1/16W J 1005 TAPE	BRFA161534G
R445	R: CARBON FIXED CHIP(1005)	4.7K 1/16W J 1005 TAPE	BRFA164724G
R446	R: CARBON FIXED CHIP(1005)	47K 1/16W J 1005 TAPE	BRFA164734G
RT1	R: SEMI-FIXED	RT-591 PVZ3G102C01R00	BRTG0591102
RT2	R: SEMI-FIXED	RT-590 TMC3K-OB 4.7K-TR	BRTG0590472
RT3	R: SEMI-FIXED	RT-590 TMC3K-OB 4.7K-TR	BRTG0590472
RT201	R: SEMI-FIXED	RT-591 PVZ3G473C01R00	BRTG0591473
RT202	R: SEMI-FIXED	RT-591 PVZ3G473C01R00	BRTG0591473
RT203	R: SEMI-FIXED	RT-591 PVZ3G103C01R00	BRTG0591103
RT204	R: SEMI-FIXED	RT-591 PVZ3G472C01R00	BRTG0591472
RT205	R: SEMI-FIXED	RT-591 PVZ3G103C01R00	BRTG0591103
RT206	R: SEMI-FIXED	RT-591 PVZ3G103C01R00	BRTG0591103
RT207	R: SEMI-FIXED	RT-591 PVZ3G103C01R00	BRTG0591103
RT208	R: SEMI-FIXED	RT-591 PVZ3G472C01R00	BRTG0591472
RT209	R: SEMI-FIXED	RT-591 PVZ3G103C01R00	BRTG0591103

RT210	R:SEMI-FIXED	RT-591 PVZ3G103C01R00	BRTG0591103
RT301	R:SEMI-FIXED	RT-591 PVZ3G472C01R00	BRTG0591472
RT302	R:SEMI-FIXED	RT-591 PVZ3G473C01R00	BRTG0591473
T401	TRANSFORMER:AF CHOKE	TF-083	BTFG0083001
TH301	THERMISTOR	DF-147 SDNT1005X333J4050KTF	BDFG0147001
TP201	TEST PIN	TP-138 IPS-1820-01-PT	BTPG0138001
W301	WIRE W-004	UL 1571 #26 3- 35- 3 WHT	CUPJ003511G
W401	WIRE	UL 1430 #24 5- 45- 3 RED	CUFB004521G
W402	WIRE	UL 1430 #24 5- 45- 3 BLK	CUFK004521G
W403	WIRE ASSEMBLED	W-072573Z	CZDZ072573G
X301	CRYSTAL	QX-899 10.241700MHZ	BQXG0899001
X302	CRYSTAL	QX-900 10.697500MHZ	BQXG0900001
B601	PCB:FRONT	PA-473DA	BPAGO473DAZ
C601	C:CERAMIC M/L (1005) TAPE	22PF 50V J CH	BCNA812204G
C602	C:CERAMIC M/L (1005) TAPE	22PF 50V J CH	BCNA812204G
C603	C:CERAMIC M/L (1005) TAPE	22PF 50V J CH	BCNA812204G
C605	C:CERAMIC M/L (1608) TAPE	1UF 16V K B	BCML311055G
C606	C:CERAMIC M/L (1005) TAPE	0.01UF 16V K B	BCNB311035G
C607	C:CERAMIC M/L (1005) TAPE	0.01UF 16V K B	BCNB311035G
C608	C:CERAMIC M/L (1608) TAPE	0.001UF 50V K B	BCML811025G
C609	C:CERAMIC M/L (1005) TAPE	820p 50V K B	BCNB818215G
C610	C:CERAMIC M/L (1005) TAPE	0.1u 10V K B	BCNB111045G
C611	C:CERAMIC M/L (1005) TAPE	0.022uF 25V K B	BCNB512235G
C613	C:CERAMIC M/L (1608) TAPE	1UF 16V K B	BCML311055G
C614	C:CERAMIC M/L (1608) TAPE	1UF 16V K B	BCML311055G
C615	C:CERAMIC M/L (1608) TAPE	0.1UF 50V K B	BCML811045G
C616	C:CERAMIC M/L (1005) TAPE	0.01uF 25V K B	BCNB511035G
C617	C:CERAMIC M/L (1005) TAPE	0.1u 10V K B	BCNB111045G
C619	C:CERAMIC M/L (1005) TAPE	0.01UF 16V K B	BCNB311035G
C620	C:CERAMIC M/L (1005) TAPE	0.01UF 16V K B	BCNB311035G
C621	C:CERAMIC M/L (1608) TAPE	1UF 16V K B	BCML311055G
C622	C:CERAMIC M/L (1608) TAPE	1UF 16V K B	BCML311055G
C623	C:CERAMIC M/L (1005) TAPE	0.1u 10V K B	BCNB111045G
C624	C:CERAMIC M/L (1005) TAPE	0.01uF 25V K B	BCNB511035G
C625	C:CERAMIC M/L (1005) TAPE	0.01uF 25V K B	BCNB511035G
C626	C:CERAMIC M/L (1005) TAPE	0.01UF 16V K B	BCNB311035G
C627	C:CERAMIC M/L (1005) TAPE	0.1u 10V K B	BCNB111045G
C628	C:CERAMIC M/L (1005) TAPE	820p 50V K B	BCNB818215G
C629	C:ELECTROLYTIC	220UF 25V M C-442	BCJY512216G
C630	C:CERAMIC M/L (1005) TAPE	0.022uF 25V K B	BCNB512235G
C631	C:CERAMIC M/L (1608) TAPE	4.7UF 6.3V K B	BCML904755G
D601	DIODE	KDS160E-RTK/P	BDAG1270001
D602	DIODE:LED CHIP	LTST-C190KRKT	BDAG1638001
D603	DIODE:LED CHIP	LTST-C190KRKT	BDAG1638001
D604	DIODE:LED CHIP	LTST-C190KRKT	BDAG1638001
D605	DIODE:LED CHIP	LTST-C190KRKT	BDAG1638001
D606	DIODE:LED	LTST-S270KFKT	BDAG1686001
D607	DIODE:LED	LTST-S270KFKT	BDAG1686001
D608	DIODE:LED	LTST-S270KFKT	BDAG1686001
D609	DIODE:LED	LTST-S270KFKT	BDAG1686001
D610	DIODE:LED	LTST-S270KFKT	BDAG1686001



D611	DIODE:LED	LTST-S270KFKT	BDAG1686001
D612	DIODE:LED	LTST-S270KFKT	BDAG1686001
D613	DIODE:LED	LTST-S270KFKT	BDAG1686001
D614	DIODE:LED	LTST-C190KFKT	BDAG1031001
D615	DIODE:LED	LTST-C190KFKT	BDAG1031001
D616	DIODE:LED	LTST-C190KFKT	BDAG1031001
D617	DIODE:LED	LTST-C190KFKT	BDAG1031001
D618	DIODE:LED	LTST-C190KFKT	BDAG1031001
D619	DIODE:LED	LTST-S270KGKT	BDAG1685001
D620	DIODE:LED	LTST-S270KGKT	BDAG1685001
D621	DIODE:LED	LTST-S270KGKT	BDAG1685001
D622	DIODE:LED	LTST-S270KGKT	BDAG1685001
D623	DIODE:LED	LTST-S270KGKT	BDAG1685001
D624	DIODE:LED	LTST-S270KGKT	BDAG1685001
D625	DIODE:LED	LTST-S270KGKT	BDAG1685001
D626	DIODE:LED	LTST-S270KGKT	BDAG1685001
D627	DIODE:LED	LTST-C190KGKT	BDAG1051001
D628	DIODE:LED	LTST-C190KGKT	BDAG1051001
D629	DIODE:LED	LTST-C190KGKT	BDAG1051001
D630	DIODE:LED	LTST-C190KGKT	BDAG1051001
D631	DIODE:LED	LTST-C190KGKT	BDAG1051001
D632	DIODE:ZENER	HZK6C	BDAG1423004
D633	DIODE:ZENER	HZK6C	BDAG1423004
D634	DIODE:ZENER	HZK6C	BDAG1423004
D635	DIODE	KDS160E-RTK/P	BDAG1270001
D636	DIODE	KDS160E-RTK/P	BDAG1270001
DP601	LCD	DL-802	BDLG0802001
IC601	IC:MICOM (FLASH OR OTP)	UPD78F1513AGC-UEU-AX	BDEG5497001
IC603	INTEGRATED CIRCUIT	NJM12904R-TE1-#ZZZB	BDEG4463003
IC604	INTEGRATED CIRCUIT	FM24C02A-S0-T-G	BDEG5191003
IC605	INTEGRATED CIRCUIT	XC6109C43ANR	BDEG4680003
J601	JACK	JK-1163 9639S-35Y911	BJKG1163035
J602	JACK	JK-1478 B 7B-ZR-SM4-TF	BJKG1478007
J603	JACK	JK-1380 BM04B-SRSS-TB (LF) (SN)	BJKG1380004
J606	JACK	JK-1547	BJKG1547001
Q601	TRANSISTOR	DB-1259 KTC3875S-GR-RTK/P TAPE	BDBN1259001
Q602	TRANSISTOR	DB-1259 KTC3875S-GR-RTK/P TAPE	BDBN1259001
Q603	TRANSISTOR	DB-1259 KTC3875S-GR-RTK/P TAPE	BDBN1259001
Q604	TRANSISTOR	DB-1259 KTC3875S-GR-RTK/P TAPE	BDBN1259001
Q605	TRANSISTOR	DB-1259 KTC3875S-GR-RTK/P TAPE	BDBN1259001
Q606	TRANSISTOR	DB-1259 KTC3875S-GR-RTK/P TAPE	BDBN1259001
Q607	TRANSISTOR	DB-1259 KTC3875S-GR-RTK/P TAPE	BDBN1259001
Q608	TRANSISTOR	DB-1259 KTC3875S-GR-RTK/P TAPE	BDBN1259001
R602	R:CARBON FIXED CHIP(1005)	1M 1/16W J 1005 TAPE	BRFA161054G
R611	R:CARBON FIXED CHIP(1005)	10K 1/16W J 1005 TAPE	BRFA161034G
R612	R:CARBON FIXED CHIP(1005)	10K 1/16W J 1005 TAPE	BRFA161034G
R613	R:CARBON FIXED CHIP(1005)	10K 1/16W J 1005 TAPE	BRFA161034G
R614	R:CARBON FIXED CHIP(1005)	470 1/16W J 1005 TAPE	BRFA164714G
R619	R:CARBON FIXED CHIP(1005)	1K 1/16W J 1005 TAPE	BRFA161024G
R627	R:CARBON FIXED CHIP(1005)	4.7K 1/16W J 1005 TAPE	BRFA164724G
R629	R:CARBON FIXED CHIP(1005)	3.9K 1/16W J 1005 TAPE	BRFA163924G



R709	R: CARBON FIXED CHIP(1005)	10K 1/16W J 1005 TAPE	BRFA161034G
R712	R: CARBON FIXED CHIP(1005)	100K 1/16W J 1005 TAPE	BRFA161044G
R713	R: CARBON FIXED CHIP(1005)	68K 1/16W J 1005 TAPE	BRFA166834G
R714	R: CARBON FIXED CHIP(1005)	27K 1/16W J 1005 TAPE	BRFA162734G
S601	SW: TACT	SW-905 RS-187R05E2-DS MT RT	BSWG0905001
S602	SW: TACT	SW-905 RS-187R05E2-DS MT RT	BSWG0905001
S603	SW: TACT	SW-905 RS-187R05E2-DS MT RT	BSWG0905001
S604	SW: TACT	SW-905 RS-187R05E2-DS MT RT	BSWG0905001
S605	SW: TACT	SW-905 RS-187R05E2-DS MT RT	BSWG0905001
S606	SW: TACT	SW-905 RS-187R05E2-DS MT RT	BSWG0905001
S607	SW: TACT	SW-905 RS-187R05E2-DS MT RT	BSWG0905001
S608	SW: TACT	SW-905 RS-187R05E2-DS MT RT	BSWG0905001
S609	SW: TACT	SW-905 RS-187R05E2-DS MT RT	BSWG0905001
S610	SW: TACT	SW-905 RS-187R05E2-DS MT RT	BSWG0905001
X601	CRYSTAL	QX-1052 10.16MHZ	BQXG1052001
B851	PCB: VOL	PB-372AA 2/4	BPBG0372AA2
VR851	R: VARIABLE	RV-1057 R09422GS-FG30C7.1	BRVG1057001
W851	W: WIRE: ASSEMBLED	W-072544Z	CZDZ072544G
B860	PCB: SWITCH	PB-372AA 3/4	BPBG0372AA3
S860	SWITCH: ROTARY	SR-484 PS1020-20-FB25.5A10-00	BSRG0484001
W860	WIRE: ASSEMBLED	W-072548Z	CZDZ072548G
B870	PCB: CLARIFIER	PB-372AA 4/4	BPBG0372AA4
VR870	R: VARIABLE	RV-1052 R09711N0-FR18.7A10-B502	BRVG1052001
W870	W: WIRE: ASSEMBLED	W-072545Z	CZDZ072545G
C501	C: CERAMIC TS2.5S	MTX7R472PK50VPND0603L20RD20P	BCRY814725G
C502	C: CERAMIC TS2.5S	MTX7R472PK50VPND0603L20RD20P	BCRY814725G
FC501	FLAT CABLE	WF-402 3- 54- 3 35PIN	BWFG4020549
J501	JACK: ANT W/O ACC	JK-1639 M-RM-L 102	BJKG1639003
J502	JACK	JK-052 BLACK 12T-5C018-S	BJKG0052002
Q501	FIELD EFFECT TRANSISTOR	DC-373 UFZ24N	BDCN0373000
Q502	FIELD EFFECT TRANSISTOR	DC-361 IRF520PBF	BDCN0361001
Q503	TRANSISTOR	DB-1373 2SC2314 T0-126	BDBN1373001
SP501	SPEAKER	SP-597 LYS-S0077-016-001R	BSPG0597001
W501	W: WIRE: ASSEMBLED	W-072543Z	CZDZ072543G
Y501	INSULATION SHEET	YY-1651 WCP23-16-11	BYYG1651001
Y502	INSULATION SHEET	YY-1651 WCP23-16-11	BYYG1651001
MC951	MICROPHONE	MK-652 IP743-G010601	BMKG0652001
WA951	CORD: DC CORD	WZ-1700 DC POWER CORD	BWZG1700001

**Grant II Premium  
PARTS LIST (MECHANIC)**

PARTS CODE	DESCRIPTION	SPEC	REMARKS
HSD101520ZZ	SHIELD	SPTE	UT386Z MAIN PCB
HSD107742ZZ	SHIELD	SPTE	MAIN PCB
RBLD4D6125Z	HIMELON	**	UT560Z MIC JACK
GHD102201ZZ	HOLDER DISPLAY	ABS	UT390Z
GLP102202ZZ	LIGHTING PLATE	PMMA	UT390Z
HFR102206ZZ	FRAME	SPTE	UT390Z
RBL102211ZZ	BLIND	**	UT390Z, HOLDER DISPLAY
RBLD451795Z	HIMELON	**	FRONT PCB
RET103621ZZ	REFLECTION SHEET	**	UT390Z
SSCW133005N	SCREW:FLAT HD +	M3X5 NI	FRONT-CHASSIS LEFT-RIGHT
SSCW193006B	SCREW: BIND HD +	M3X6 BLK NI	CHASSIS-COVER TOP-BOTTOM
SSCW193006N	SCREW: BIND HD +	M3X6 NI	CHASSIS LEFT-HOLDER DEVICE
SSCW193008N	SCREW: BIND HD	M3X8 NI	HEAT SINK-CHASSIS (COMP)
SSCW193010N	SCREW: BIND HD	M3X10 NI	CHASSIS REAR-TR
SSCW450030N	NUT: HEX	M3 NI	CHASSIS RIGHT-TR*2
SSCW480030Z	NUT: FLANGE	M3 ZMC	SPEAKER
SSCW802008N	SCREW: P TIGHT BIND HD	D2X8 NI	FRONT-FRONT PCB
SSCW193006B	SCREW: BIND HD +	M3X6 BLK NI	COVER BOTTOM-SPEAKER
SSCW193006N	SCREW: BIND HD +	M3X6 NI	CHASSIS LEFT/RIGHT-HEAT SINK
SSCW193010N	SCREW: BIND HD	M3X10 NI	CHASSIS RIGHT-TR*2
SSCW193006N	SCREW: BIND HD +	M3X6 NI	CHASSIS REAR-LEFT-RIGHT
SSCW193006N	SCREW: BIND HD +	M3X6 NI	CHASSIS REAR-POWER JACK-CONTACT PLATE
SSCW193006N	SCREW: BIND HD +	M3X6 NI	MAIN PCB-CHASSIS
SSCW193006N	SCREW: BIND HD +	M3X6 NI	MAIN PCB-HOLDER PCB
FHT108422ZZ	HEAT SINK	**	CHASSIS (COMP)

GBSG4C9670Z	BUSHING	POM	UT375Z TR
GCF102196BZ	CASE FRONT	ABS	
GCP102205BZ	CAP	ABS	CH KNOB
GLP102199ZZ	LIGHTING PLATE	PMMA	UT390Z RING
GLP102200AZ	LIGHTING PLATE	PMMA	KEY
GLS102197ZZ	LED LENS	PC	UT390Z VOL, SQ KNOB
GLS102198ZZ	LED LENS	PC	UT390Z CH KNOB
GNB101757BZ	KNOB	ABS	VOL
GNB101758ZZ	KNOB	ABS (HI-HEAT)	UT389Z SQ
GNB102203ZA	KNOB	ABS (HI-HEAT)	UT390Z CLARIFIER
GNB102204ZZ	KNOB	ABS (HI-HEAT)	UT390Z CH
HCAS2D3270Z	COVER:TOP	VINY TOP	UT560Z
HCAS2D3271Z	COVER:BOTTOM	VINY TOP	UT560Z
HCH108423ZZ	CHASSIS	SECC	RIGHT
HCH108424ZZ	CHASSIS	SECC	LEFT
HCH108425ZZ	CHASSIS (COMP)	**	REAR
HETC4F2308Z	SPRING PLATE	**	UT381Z ANT JACK
HHD102208ZZ	HOLDER PCB	SECC	UT390Z FRONT PCB
HHD108426ZZ	HOLDER DEVICE	SECC	CHASSIS LEFT-TR
HHT108427ZZ	HEAT SINK	A1070P (AL)	CHASSIS LEFT/RIGHT
HSD107807ZZ	SHIELD	SPT	CHASSIS REAR-TR
HTM102358ZZ	CONTACT PLATE	C5191 (PBP)	UT390Z MIC JACK
HTM107744ZZ	CONTACT PLATE	C5191 (PBP)	VOL, SQ KNOB
HTM107745ZZ	CONTACT PLATE	C5191 (PBP)	CH KNOB
HTM107746ZZ	CONTACT PLATE	C5191 (PBP)	FINE, CLARIFIER KNOB
HTM108416ZZ	CONTACT PLATE	**	POWER JACK
KPL102210BZ	PLATE DISPLAY	PC	CASE FRONT
LKR102209BZ	KEY RUBBER	SI	
MMS102933AZ	STUD	**	CASE FRONT
MSCW4F2297Z	NUT	**	UT381Z ANT JACK
MSRT4F1077Z	INSERT	C3601 (BSBM)	HCH108425ZZ 2 PCS
PLBS4F2931Z	LABEL:ID	POLYESTER	CHASSIS REAR, PDV
PLBZ493437A	WIRING STICKER	**	COVER TOP
RCU102212ZZ	CUSHION	**	UT390Z LCD
RETC490493A	SPACER	WOOL TACK 0.5T BLACK	CHASSIS LEFT-RIGHT
RPT104631ZZ	PLATE	**	TR SMALL RIGHT
RUTC4C3268Z	WOOL COATED PAPER:WOOL TACK	**	UT373Z COVER TOP-BOTTOM
TSTD0200001	SPRING PLATE:KNOB	D3.5XL5.2	VOL KNOB (INNER)
TSTD0200002	SPRING PLATE:KNOB	D6XL5.2	SQ KNOB (OUTER)
TSTD0200006	SPRING PLATE:KNOB	D6XL5.2	CH, CLARIFIER KNOB
SSCW293508N	SCREW:TAPPING ROUND HD +	D3.5X8 NI	HANGER MIC ACC
SSCW295010N	SCREW:TAPPING ROUND HD +	D5X10 NI	BRACKET ACC
SSCW530035N	WASHER:LOCK	D3.5 NI	HANGER MIC ACC
SSCW540050N	WASHER:STAR	D5 NI	BRACKET ACC
GMSC405736A	SCREW:MOUNTING	ABS INST CLR BLACK	BRACKET ACC
HBCT406058Z	MOUNTING BRACKET	SPCC 1.6T ZMC	COVER TOP-BOTTOM ACC
HMHG402919Z	HANGER:MICROPHONE	SPCC 1.0T NI	COVER BOTTOM ACC
LWSR493891Z	WASHER:RUBBER	EPT BLACK 7X15X2.0T	BRACKET ACC

PLBB4D4482Z	LABEL:BARCODE	PAPER	D/BOX*1, S/C BOX*1
PLBC482147Z	LABEL:WARNING DC CORD	PAPER PRINT	DC CORD
PLBZ393435Z	CB STICKER (B)	**	
U01UT565ZZ	OWNERS MANUAL	**	
WBAG4C2134Z	PACKING BAG	**	1/4, S/C BOX
WBAG4C3715Z	PACKING BAG	**	ACC
WBAG4C3738Z	PACKING BAG	**	MOUNTING BRACKET
WBAG4C4206Z	MIRROR MAT	**	UNIT
WBAG4E9659Z	PACKING BAG	**	HANGER MIC
WDB108759ZZ	DISPLAY BOX	**	
WSC108760ZZ	SHIPPING CARTON BOX	**	1/4, PDV
WSL103225ZZ	SLEEVE	**	ACC
WSL107907ZZ	SLEEVE	**	INSIDE OF WSL108764ZZ
WSL108761ZZ	SLEEVE	**	UNIT BEHIND SPACER
WSL108762ZZ	SLEEVE	**	UNIT
WSL108763ZZ	SLEEVE	**	UNIT TOP SPACER
WSL108764ZZ	SLEEVE	**	UNIT FRONT SPACER
WSL108765ZZ	SLEEVE	**	UNIT BOTTOM SPACER
WSL108876ZZ	SLEEVE	**	INSIDE WSL108761ZZ